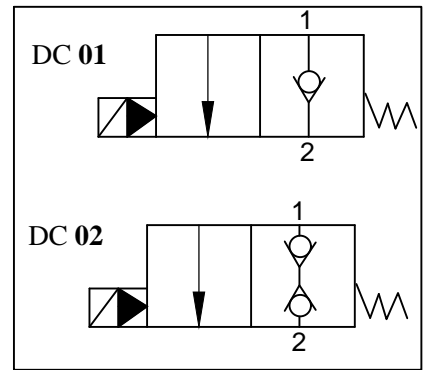
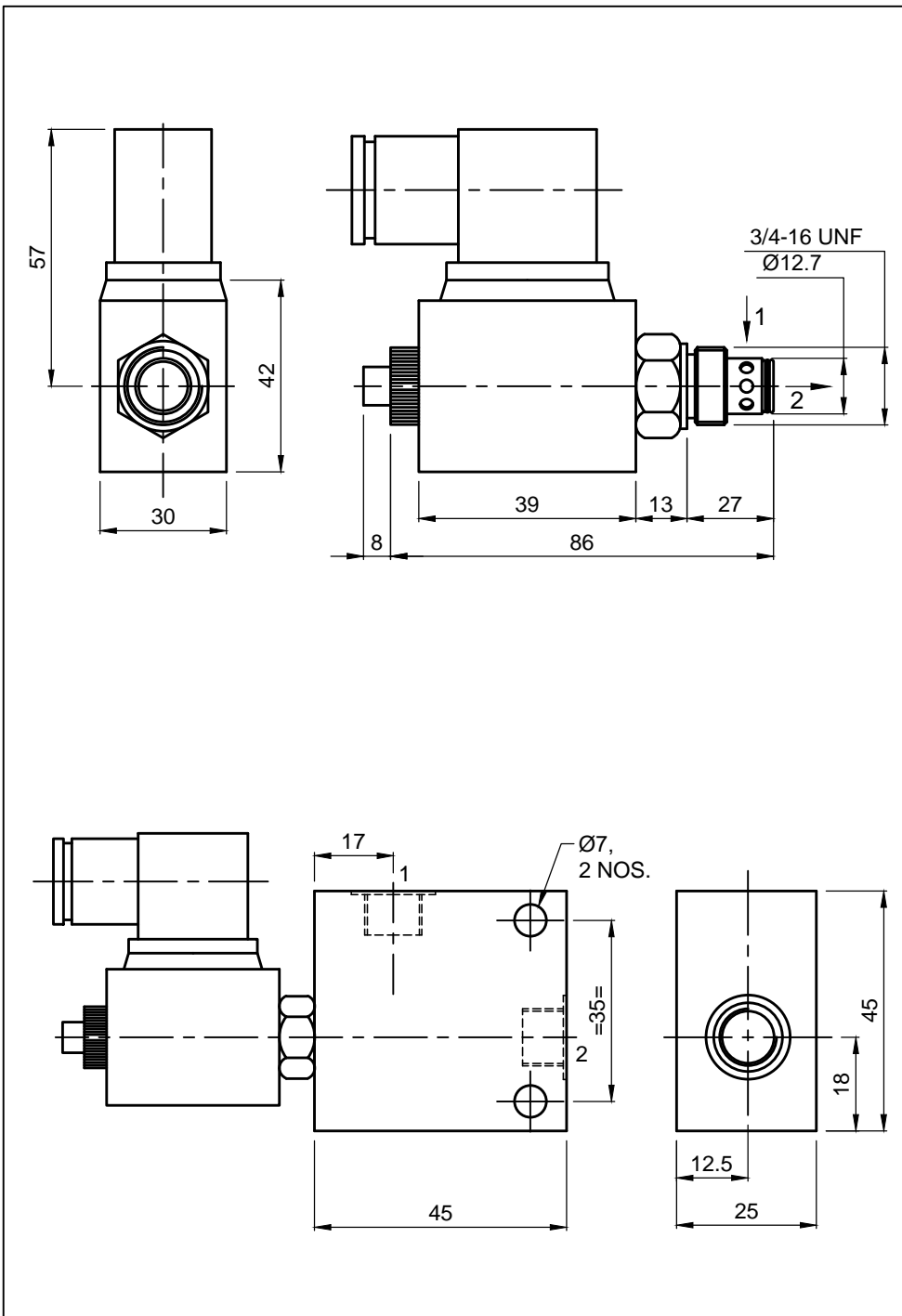




2 WAY SOLENOID VALVE

DC 01/02 -XX-YY-ZZ



Specifications

Maximum Flow	22 LPM
Maximum Pressure	210 Bar

**General Description**

The DC Series Valve are two way, two position solenoid operated single or double poppet valve.

<b>XX</b>	<b>Mounting Style</b>
00	Cartridge
IL	Inline

<b>YY</b>	<b>Voltage (V)</b>
12	12 DC
24	24 DC
220	220 AC

<b>ZZ</b>	<b>PORTS</b>
14	1/4" BSP (STD.)
38	3/8" BSP

