

DHSS100 | DHS150 | DHS180 | DHS240

BRUKSANVISNING • BRUGSANVISNING • KÄYTTÖOHJE • OPERATING INSTRUCTIONS

GEBRAUCHANWEISUNG • MODE D'EMPLOI • GEBRUIKSAANWIJZING

ISTRUZIONI PER L'USO • INSTRUCCIONES DE USO • INSTRUÇÕES DE USO

Thank you for the confidence you have shown in us by choosing a REHOBOT product. REHOBOT stands for high quality products and we hope that this product will serve you well for many years.

To avoid problems in operation we recommend that you read these instructions before you use the product.

## Technical description (Fig. 1)

Max. working pressure:	80 MPa (800 bar, 11600 psi)
Max. cutting force: DHSS100	440 kN (44 ton, 49.2 sh tn)
Max. cutting force: DHS150	512 kN (52 ton, 57.6 sh tn)
Max. cutting force: DHS180	512 kN (52 ton, 57.6 sh tn)
Max. cutting force: DHS240	512 kN (52 ton, 57.6 sh tn)
Max. opening: DHSS100	100 mm (3.9 in)
Max. opening: DHS150	150 mm (5.9 in)
Max. opening: DHS180	180 mm (7.1 in)
Max. opening: DHS240	240 mm (9.4 in)
Weight: DHSS100	15.8 kg (34.8 lbs)
Weight: DHS150	17.0 kg (37.5 lbs)
Weight: DHS180	17.9 kg (39.5 lbs)
Weight: DHS240	17.5 kg (38.6 lbs)
EN13204: DHSS100	AC100F-16
EN13204: DHS150	BC150-H-17
EN13204: DHS180	BC180-H-18
EN13204: DHS240	BC195-H-18

## Tool operation (Fig. 2)

The tool is operated by means of a rotary hand-grip. To cut, crush or pull, turn the hand-grip anti-clockwise. To open the blades, or use the tool for spreading, turn the hand-grip clockwise.

To allow connection to a pump, the tool is equipped with two 0.4 m (15.7 in) long hoses, one with a male quick coupling and the other with a female quick coupling. Both are fitted with dust caps. The female coupling also has a locking ring. The tool pressure hose has the word "PRESSURE" marked on the end of the hose.

## Safety features

**A dead man's handle** incorporated in the hand-grip interrupts operation of the tool as soon as you release the hand-grip.

**A built-in safety valve** protects the tool if the return hose is not corrected properly. If the safety valve has tripped or the return hose is not properly connected, a small amount of oil may leak out of the front of the control valve.

**The hold function** ensures that the tool maintains pressure against the applied load even if the hoses are disconnected. Twisting the hand-grip has no effect on this hold function as long as the tool hoses are disconnected.

## Connection/Disconnection (Fig. 3)

To connect the tool to a pump, connect the tool pressure hose to the pump pressure hose. Both hose ends are labelled with the word "PRESSURE". The tool can be connected directly to the pump or via a separate hose reel. Similarly, the tool return hose is connected to the pump return hose, directly or via a separate hose reel.

The male and female couplings can only be connected when the hoses are depressurised and the locking ring on the female coupling has been screwed back.

After connection, the locking ring on the female coupling must be screwed over the male coupling. This prevents accidental disconnection and shows that the couplings are properly connected.

The male and female dust caps should now be joined together as shown in (Fig. 4). This prevents the dust caps from becoming contaminated.

To disconnect the tool, simply reverse the sequence. NOTE, the hoses must be depressurised before being disconnected. After disconnection, fit the respective dust caps to the couplings to prevent contamination of the couplings.

## Practical work

Always try to keep the tool at right angles to the object. If the tool begins to twist - stop work and get a new grip.

Once the tool has started to twist the situation will never improve, but only get worse.

When cutting has reached the point where the tips of the shears meet, stop and check the following:

- That the tips of the shears have not become crossed so that they meet on the wrong side, as shown in fig. 5, A.
- That the tips of the shears are not being forced apart sideways, as shown in fig. 5, B.
- If the tips of the shears are correctly positioned as shown in fig. 5, C and the tool is at right angles to the object, continue cutting.

As cutting proceeds make sure the shears do not move apart.

When cutting closed sections, where you cannot see the tips of shears, you must take great care, especially until you are sure that the tips of the shears have met correctly.

## When the work is complete

Close the blades to the halfway position, so they are not wide open and not closed. Store the tool like this.

### Safety

- Always use personal safety equipment, full-length overalls, a helmet with visor or safety goggles, gloves, etc.
- Consider the risk of sparks if electricity cables are damaged or cut. Before you start work, always check that the object you intend to work on is not connected to any power supply.
- Take care when cutting springs or spring mountings. These are often under tension and can cause injury when released.

## Maintenance

To ensure reliable operation of the tool it is important to carry out regular maintenance. Go through each of the check points whenever you finish using the tool.

- Clean the tool.
- Check that the tips and blades are not damaged. If the tips or blades are chipped, replace them! The tips and blades will still work even if they are chipped, but the resulting stress concentration could cause the tip or blade to break next time the tool is used.

- Check that the tool operates satisfactorily in both directions. Run the tool up to maximum pressure and check that there are no oil leaks.
- Check the tightness of the nut on the centre bolt using a torque meter (Fig. 6).
- Check the quick couplings and dust caps.
- Oil the tips and blades.

## **Servicing**

### **Replacing the blades (Fig. 6)**

To replace the blades, first position the blades so that you can gain access to the circlips (item A).

Remove the circlips (A) and tap out the pins (item B). Remove the nut from the centre bolt (item C) and the washer (item D). Tap out the centre bolt (item E) and remove the blades.

Before fitting new blades, lubricate the mating surfaces and holes with Molycote G-rapid or an equivalent grease.

Reassemble in the reverse order. NOTE, the nut on the centre bolt must be tightened to a torque of 140 Nm.

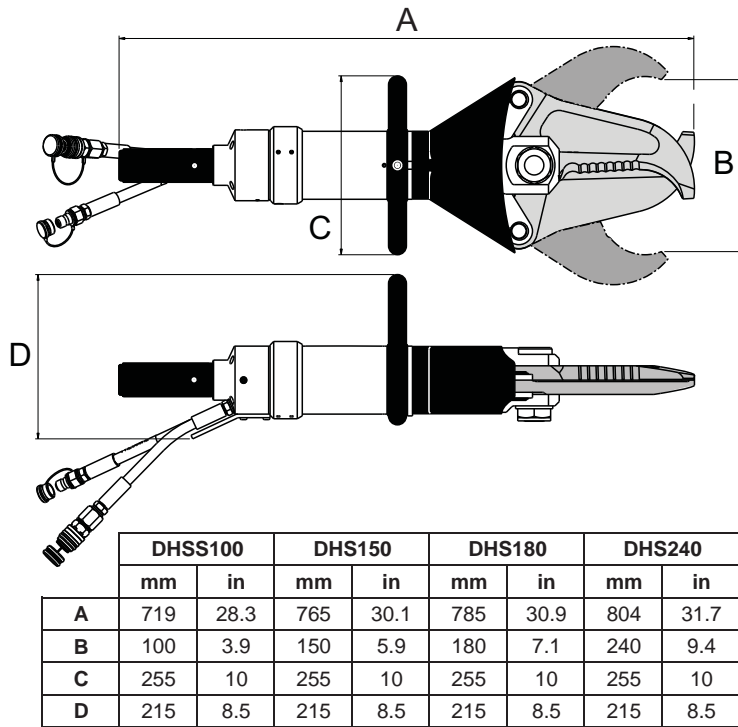


Fig. 1.

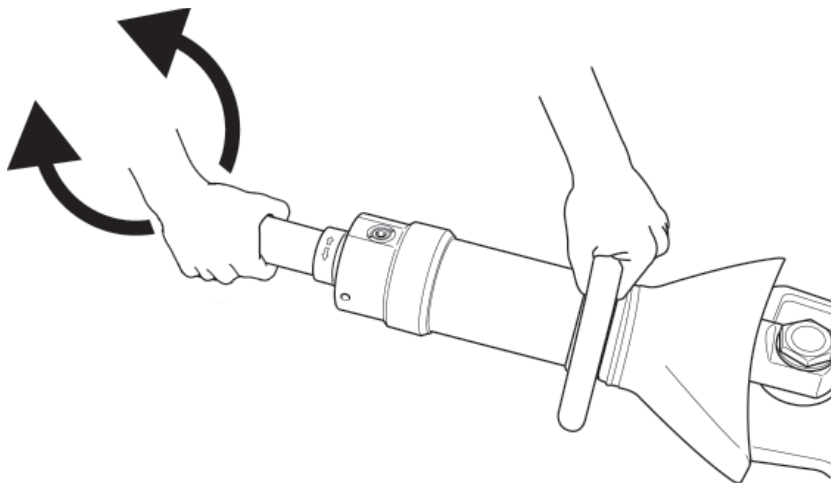


Fig. 2.

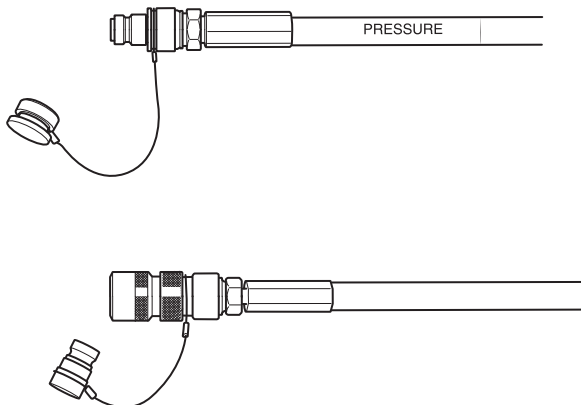


Fig. 3.

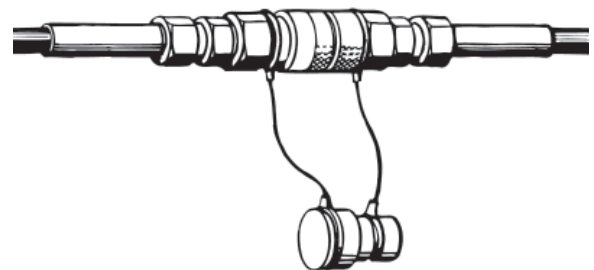
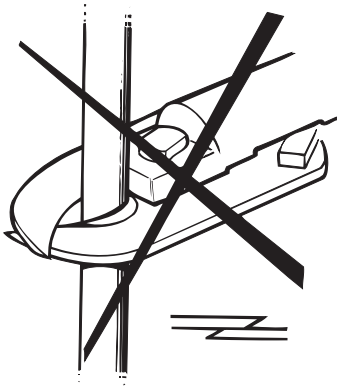
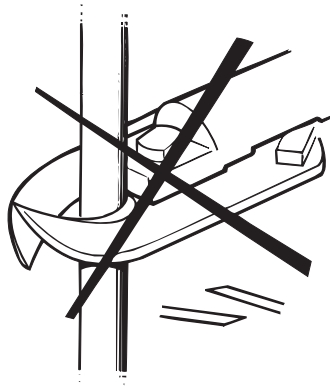


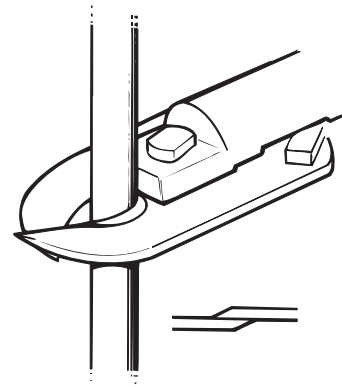
Fig. 4.



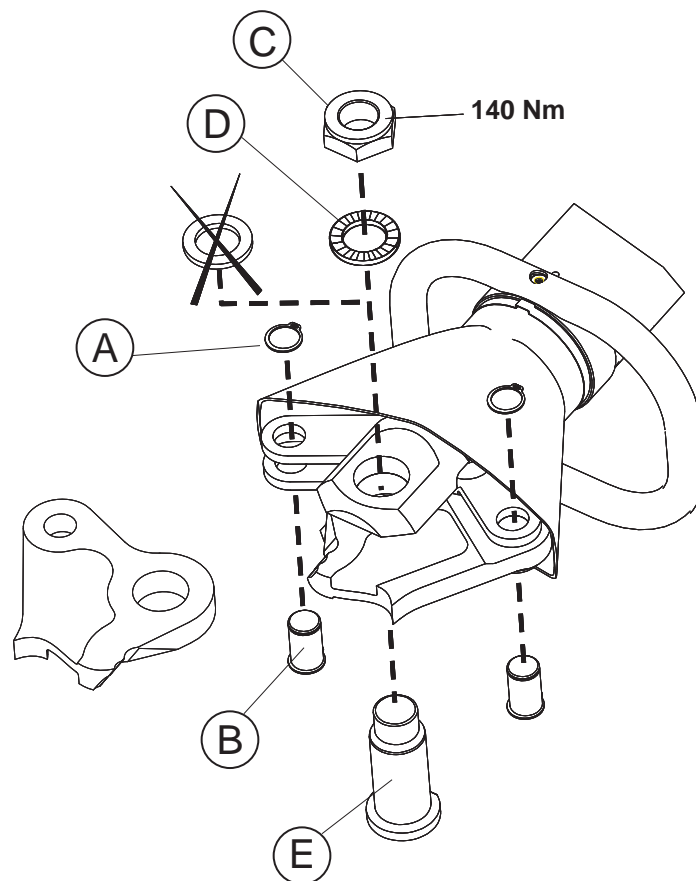
**Fig. 5, A.**



**Fig. 5, B.**



**Fig. 5, C.**



**Fig. 6.**