

**FEATURES OF THE
PHS300-1000L**

- Pressure capacity of 300 MPa
- Effective oil volume:
1000 cm³
- Incredible low pump force/oil
flow
- Robust design
- Well protected pressure gauge
- Simple to use
- Weights only 8,7 kg



Two stage hand pump PHS-SERIES

REHOBOT is raising the bar (MPa) with a brand new hand pump serie. All-in-one solution for ultra high pressure applications

Information



The PHS300-series are developed for ultra high pressures and used worldwide. The pump is classified according to 2006/42/EC "Machinery Directive" and meets the highest performance standard.



Functionality



Two stage function designed for faster operation on low pressure. The system switches automatically between low and high pressure to ensure maximum efficiency whatever the load.

For enhanced protection every PHS-pump is equipped with a safety valve.

Usability



Fields of use where the PHS is applicable include

- Industrial maintenance applications
- Emergency aid operations
- Automotive maintenance applications
- Bolt tensioning
- Mining industry
- Marine & off-shore
- Oil & gas

PHS300 - PERFORMANCE & DATA

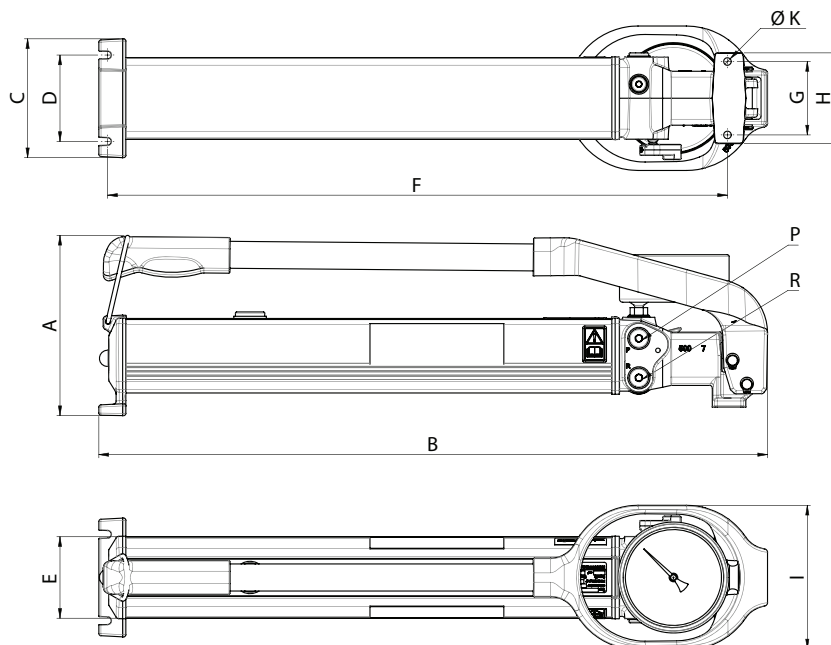
Designation	Item code	Working pressure	Eff. oil vol.	Capacity (cm ³ /stroke)		Pump force	Gauge		Weight
		(MPa)	(cm ³)	High pressure	Low pressure	(N)	Type	Size (mm/in.)	(kg)
PHS300-1000L	51440	300	1000	0,5	20	425	AMT401	Ø112/Ø4,41	8,7

PHS - MEASUREMENTS

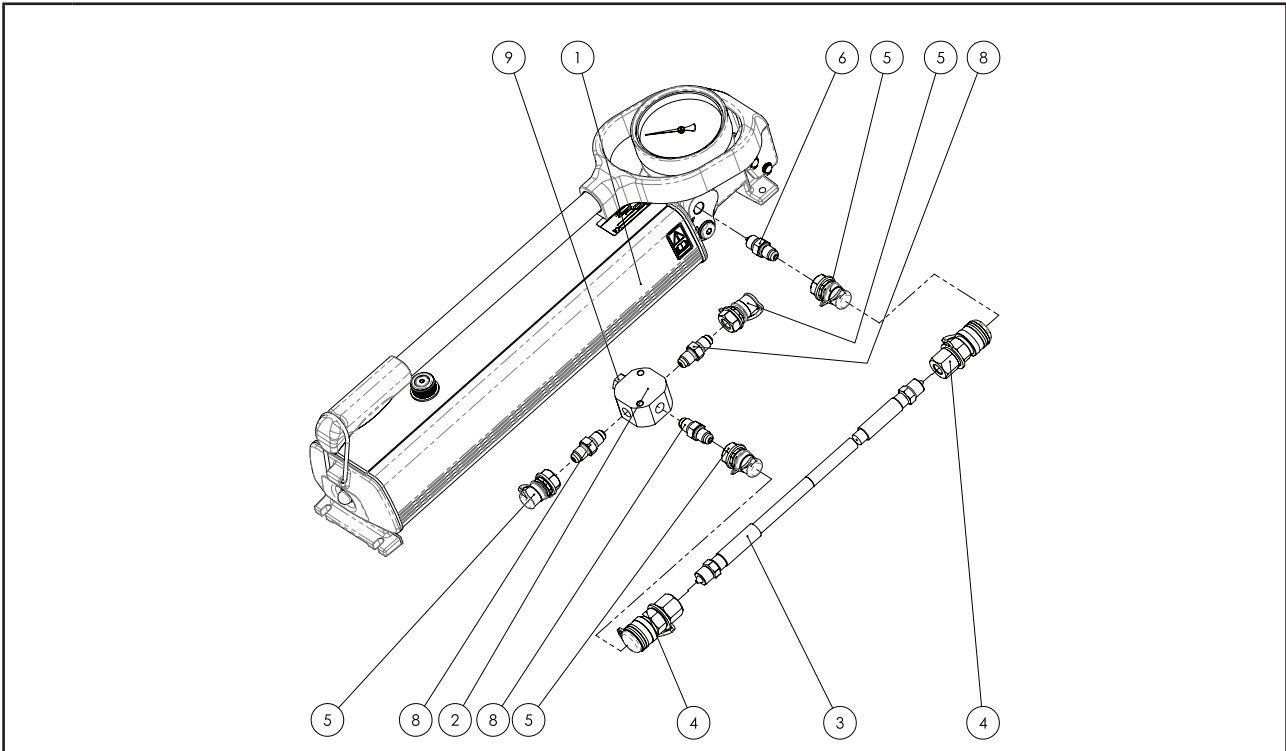
Type	PHS300-1000L	
Unit	mm	in
A	170	6.7
B	620	24.4
C	110	4.3
D	80	3.1
E	77	3
F	574	22.6
G	68	2.7
H	84	3.3
I	135	5.3
Ø K	7	0.3

P: The hydraulic pressure port connection is constituted by 9/16"-18 UNF

R: The pressure return connection is constituted by a G1/4" internal threaded port



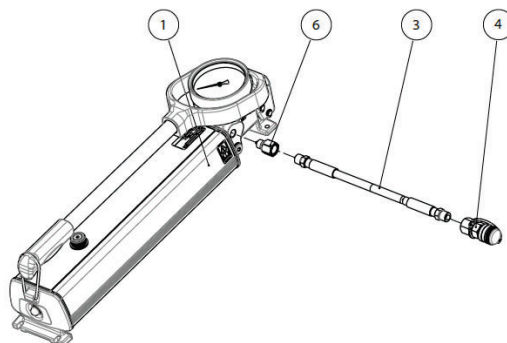
PHS300 - ASSEMBLY INSTRUCTIONS



No.	Description	Art.no	Qty	More information
1	PHS280-series		1	
2	AF41	45048	1	
3	Hose (LS205EB)	51228	1	
4	AQI300	50843	2	Torque 35 Nm
5	AQU300	50844	4	Torque 35 Nm
6	Nipple AAU244	50842	1	Torque 35 Nm
8	Nipple AAU245	51269	3	Torque 50 Nm
9	Plug 300 MPa	50569		In order to plug the AF41, if not all ports will be used in the application, torque 50 Nm (1 plug included in AF41 as standard).

Extra information:

- Position #6 can also be used with adapter AAE506 (51439) with hose directly into pump without quick couplings.



WHY WOULD I CHOOSE A REHOBOT HANDPUMP?

- Robust and durable design with aluminium oil container.
- PHS-pumps require a really low pump force
- PHS-pumps operate in all positions, horizontal and vertical with the pump head downwards.
- The construction is sturdy with only a few moving parts, for easy maintenance and repair
- Ready to use out of the box.
- Manufactured in the heart of Sweden
- Long service life
- With one of the markets lowest pump forces/ oil flow, meaning:
 - Why sweat while you press
 - The power comes from the pump not from you
 - Let the pump do the work
- Needle release valve ensures precise control over lowering operation



The gauge is directly mounted onto the pump and is well protected by a patented designed pump lever.

PHS - ACCESSORIES

WITH ONE OF THE MOST SECURED GAUGES ON THE MARKET, YOU NOW HAVE THE OPTION TO GO EVEN MORE hardcore

TMG-SERIES

- Fits all pumps in the PHS-series with gauge
- Simple snap-on design
- Increased application opportunities due to enhanced protection
- Saves valuable time using the product instead of repairing it
- Robust design
- Great overview and reading of the gauge inspite of the grid



ORDERING INFORMATION

Designation	TMG100 Gauge protection Large (Ø112mm/4.41in)
Part number	51085