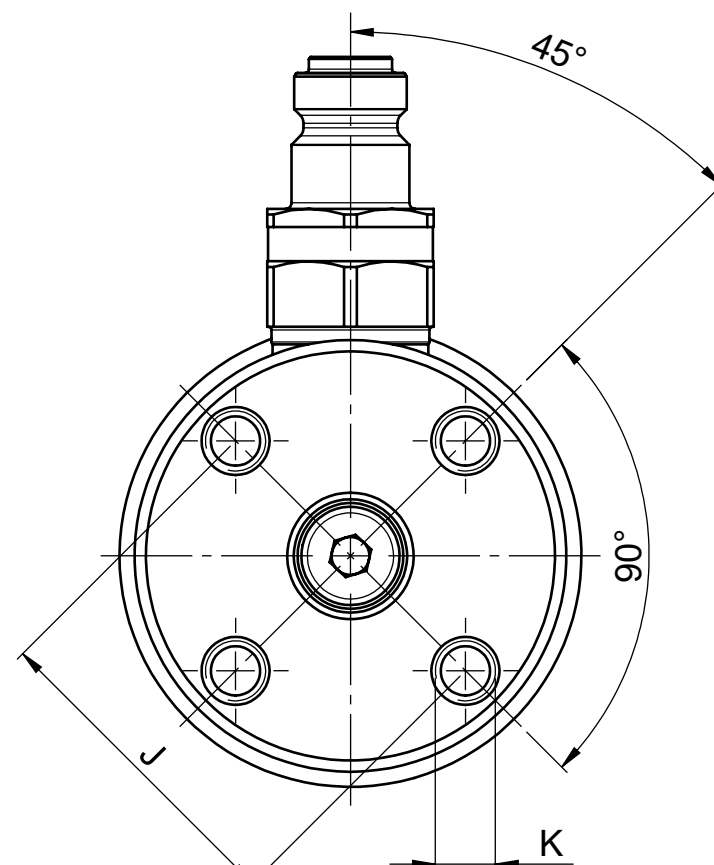
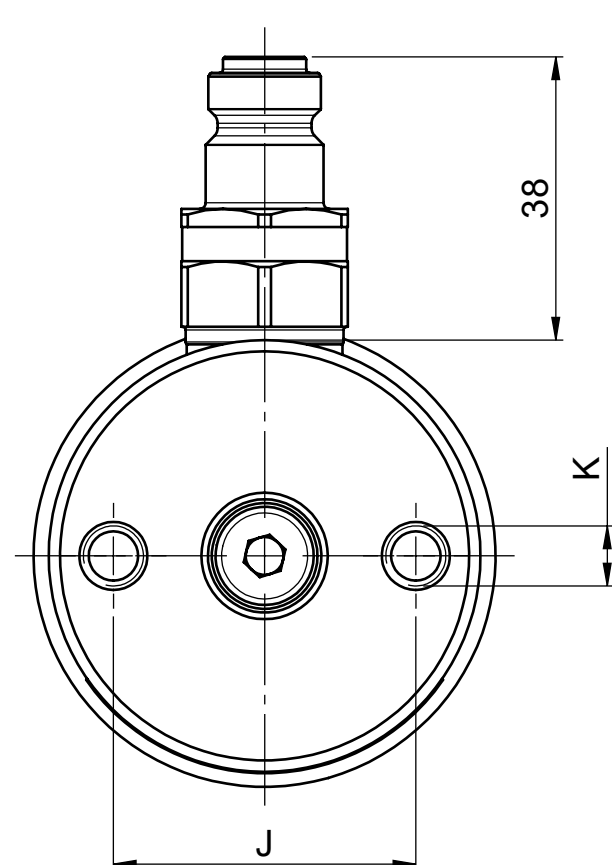


CFC1006P-10010P

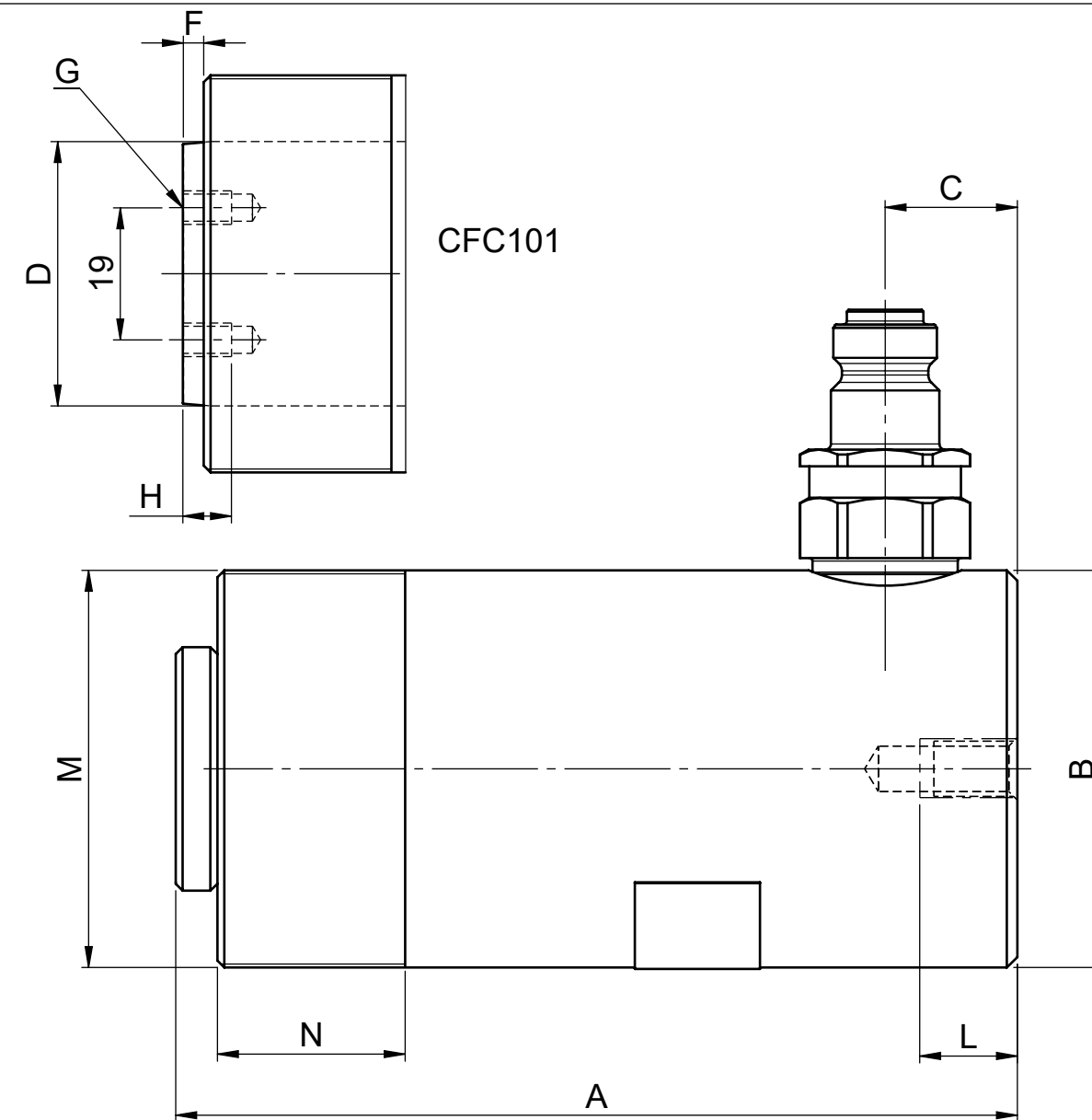
CFC51P - CFC59P  
CFC101P - CFC1014P  
CFC151P - CFC1517P  
CFC251P - CFC2514P  
CFC502P - CFC5013P



CFC1006-10010

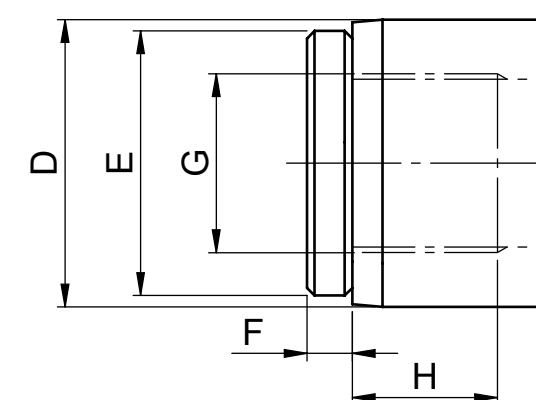


CFC51 - CFC59  
CFC101 - CFC1014  
CFC151 - CFC1517  
CFC251 - CFC2514  
CFC502 - CFC5013

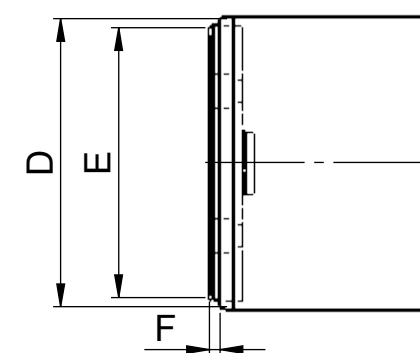


CFC101

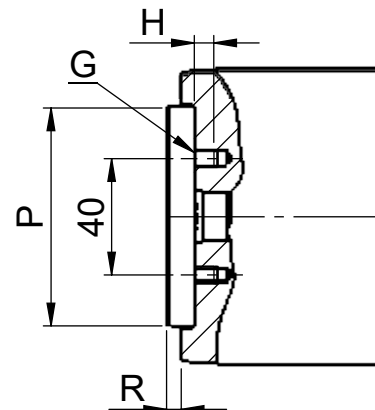
Modell / Model	Max arbetstryck / Max working pressure (MPa)	Kapacitet / Capacity (kN)	Slaglängd / Stroke (mm)	Kolvarea / Piston area (cm <sup>2</sup> )	Slagvolym / Stroke volume (cm <sup>3</sup> )	A (mm)	Ø B (mm)	C (mm)	Ø D (mm)	Ø E (mm)	F (mm)	G	H (mm)	J (mm)	K	L (mm)	M	N (mm)	Ø P (mm)	R (mm)	Vikt / Weight (kg)
CFC51	70	49	27	7.1	19	110	38	19	25.4	25	6	3/4"-16 UNF	16	25	1/4"-20 UNC	14	1 1/2"-16 UN	29	---	---	0.8
CFC53	70	49	77	7.1	55	165	38	19	25.4	25	6	3/4"-16 UNF	16	25	1/4"-20 UNC	14	1 1/2"-16 UN	29	---	---	1.2
CFC55	70	49	127	7.1	90	216	38	19	25.4	25	6	3/4"-16 UNF	16	25	1/4"-20 UNC	14	1 1/2"-16 UN	29	---	---	1.5
CFC57	70	49	181	7.1	128	273	38	19	25.4	25	6	3/4"-16 UNF	16	25	1/4"-20 UNC	14	1 1/2"-16 UN	29	---	---	1.9
CFC59	70	49	232	7.1	165	324	38	19	25.4	25	6	3/4"-16 UNF	16	25	1/4"-20 UNC	14	1 1/2"-16 UN	29	---	---	2.2
CFC101	70	111	25	15.9	40	90	57	19	38	35	3	10-24 UN	7	40	5/16"-18 UNC	12	2 1/4"-14 UN	27	---	---	1.5
CFC102	70	111	54	15.9	86	121	57	19	38	35	6	1"-8 UNC	21	40	5/16"-18 UNC	12	2 1/4"-14 UN	27	---	---	2
CFC104	70	111	105	15.9	167	171	57	19	38	35	6	1"-8 UNC	21	40	5/16"-18 UNC	12	2 1/4"-14 UN	27	---	---	2.7
CFC106	70	111	155	15.9	247	247	57	19	38	35	6	1"-8 UNC	22	40	5/16"-18 UNC	12	2 1/4"-14 UN	27	---	---	4
CFC108	70	111	206	15.9	328	298	57	19	38	35	6	1"-8 UNC	22	40	5/16"-18 UNC	12	2 1/4"-14 UN	27	---	---	4.6
CFC1010	70	111	257	15.9	409	349	57	19	38	35	6	1"-8 UNC	22	40	5/16"-18 UNC	12	2 1/4"-14 UN	27	---	---	5.3
CFC1012	70	111	305	15.9	485	400	57	19	38	35	6	1"-8 UNC	22	40	5/16"-18 UNC	12	2 1/4"-14 UN	27	---	---	6
CFC1014	70	111	356	15.9	566	451	57	19	38	35	6	1"-8 UNC	22	40	5/16"-18 UNC	12	2 1/4"-14 UN	27	---	---	6.8
CFC151	70	166	25	23.8	59	124	70	19	48	38	10	1"-8 UNC	17	48	3/8"-16 UNC	13	2 3/4"-16 UN	30	---	---	3
CFC152	70	166	51	23.8	121	149	70	19	48	38	10	1"-8 UNC	22	48	3/8"-16 UNC	13	2 3/4"-16 UN	30	---	---	3.5
CFC154	70	166	101	23.8	240	200	70	19	48	38	10	1"-8 UNC	22	48	3/8"-16 UNC	13	2 3/4"-16 UN	30	---	---	4.5
CFC156	70	166	152	23.8	361	272	70	25	48	38	10	1"-8 UNC	25	48	3/8"-16 UNC	13	2 3/4"-16 UN	30	---	---	6.5
CFC158	70	166	203	23.8	482	322	70	25	48	38	10	1"-8 UNC	25	48	3/8"-16 UNC	13	2 3/4"-16 UN	30	---	---	7.5
CFC1510	70	166	254	23.8	603	373	70	25	48	38	10	1"-8 UNC	25	48	3/8"-16 UNC	13	2 3/4"-16 UN	30	---	---	8.5
CFC1512	70	166	305	23.8	725	424	70	25	48	38	10	1"-8 UNC	25	48	3/8"-16 UNC	13	2 3/4"-16 UN	30	---	---	9.5
CFC1514	70	166	356	23.8	846	475	70	25	48	38	10	1"-8 UNC	25	48	3/8"-16 UNC	13	2 3/4"-16 UN	30	---	---	10.9
CFC1517	70	166	432	23.8	1026	565	70	25	48	38	10	1"-8 UNC	25	48	3/8"-16 UNC	13	2 3/4"-16 UN	30	---	---	13
CFC251	70	232	25	33.2	83	140	85	22	60	50	10	1 1/2"-16 UN	25	59	1/2"-13 UNC	19	3 5/16"-12 UN	49	---	---	5.1
CFC252	70	232	51	33.2	169	165	85	22	60	50	10	1 1/2"-16 UN	25	59	1/2"-13 UNC	19	3 5/16"-12 UN	49	---	---	5.9
CFC254	70	232	101	33.2	335	216	85	22	60	50	10	1 1/2"-16 UN	25	59	1/2"-13 UNC	19	3 5/16"-12 UN	49	---	---	7.7
CFC256	70	232	159	33.2	528	273	85	22	60	50	10	1 1/2"-16 UN	25	59	1/2"-13 UNC	19	3 5/16"-12 UN	49	---	---	9.7
CFC258	70	232	209	33.2	694	324	85	22	60	50	10	1 1/2"-16 UN	25	59	1/2"-13 UNC	19	3 5/16"-12 UN	49	---	---	11.5
CFC2510	70	232	260	33.2	863	375	85	22	60	50	10	1 1/2"-16 UN	25	59	1/2"-13 UNC	19	3 5/16"-12 UN	49	---	---	13.3
CFC2512	70	232	311	33.2	1032	426	85	22	60	50	10	1 1/2"-16 UN	25	59	1/2"-13 UNC	19	3 5/16"-12 UN	49	---	---	15
CFC2514	70	232	362	33.2	1201	476	85	22	60	50	10	1 1/2"-16 UN	25	59	1/2"-13 UNC	19	3 5/16"-12 UN	49	---	---	17
CFC502	70	496	53	70.9	376	176	127	33	80	75	3	M6	8	95	M12	19	5"-12 UN	55	76	6.5	16
CFC504	70	496	104	70.9	737	227	127	33	80	75	3	M6	8	95	M12	19	5"-12 UN	55	76	6.5	19
CFC506	70	496	159	70.9	1127	282	127	33	80	75	3	M6	8	95	M12	19	5"-12 UN	55	76	6.5	23
CFC5013	70	496	337	70.9	2389	460	127	33	80	75	3	M6	8	95	M12	19	5"-12 UN	55	76	6.5	35
CFC756	70	727	155	103.9	1610	282	146	29	100	75	5	M6	8	---	---	---	5 3/4"-12 UN	44	77	4.5	30
CFC7513	70	727	333	103.9	3459	492	146	29	100	75	5	M6	8	---	---	---	5 3/4"-12 UN	44	77	4.5	48
CFC1006	70	929	168	132.7	2230	359	175	41	100	75	5	M6	8	140	3/4"-10 UNC	24	6 7/8"-12 UN	54	77	4.5	54
CFC10010	70	929	260	132.7	3451	450	175	41	100	75	5	M6	8	140	3/4"-10 UNC	24	6 7/8"-12 UN	54	77	4.5	65



CFC51 - CFC59  
CFC102 - CFC1014  
CFC151 - CFC1517  
CFC251 - CFC2514



CFC502 - CFC5013  
CFC756 - CFC7513  
CFC1006 - CFC10010



DENNA RITNING ÄR REHOBOT ÅRS EGENDOM. SKYDDAD ENLIGT GÄLLANDE LAG. THIS DRAWING IS THE PROPERTY OF REHOBOT AB. PROTECTED BY PREVAILING LAW.

Material	Blank, dimension	Heat treatment	Surface treatment
Permissible deviations for dimensions without indication of tolerances	Machined parts acc.SS-ISO-2768-1	Castings acc.SS-ISO-8062	Fuse welded constr. acc.SS-EN ISO 13920
Surface roughness unless specified	Ra µm		
Designed by	GB1	Date	2017-01-24
Prod. appr.	i1	Scale	1:1
		<b>Måttitning</b> <b>Dimensional drawing</b>	
CFC-cylindrar		CFC-cylinders	
B-40341		Replaced by	

Issue	Change	Position	Date	Sign.
4	Omröad		06-01-09	MN