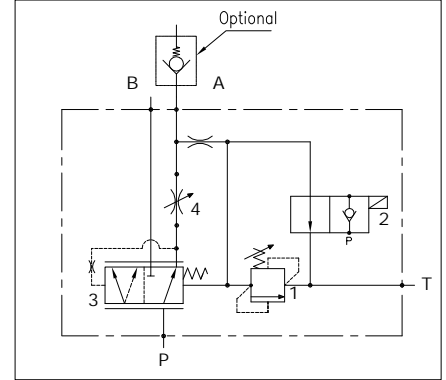
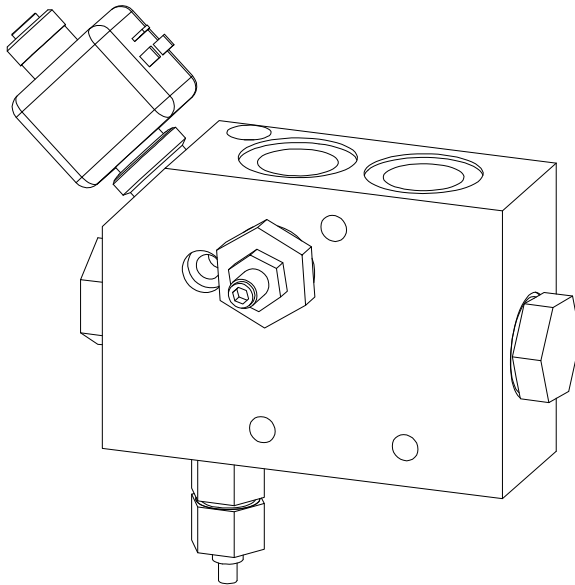
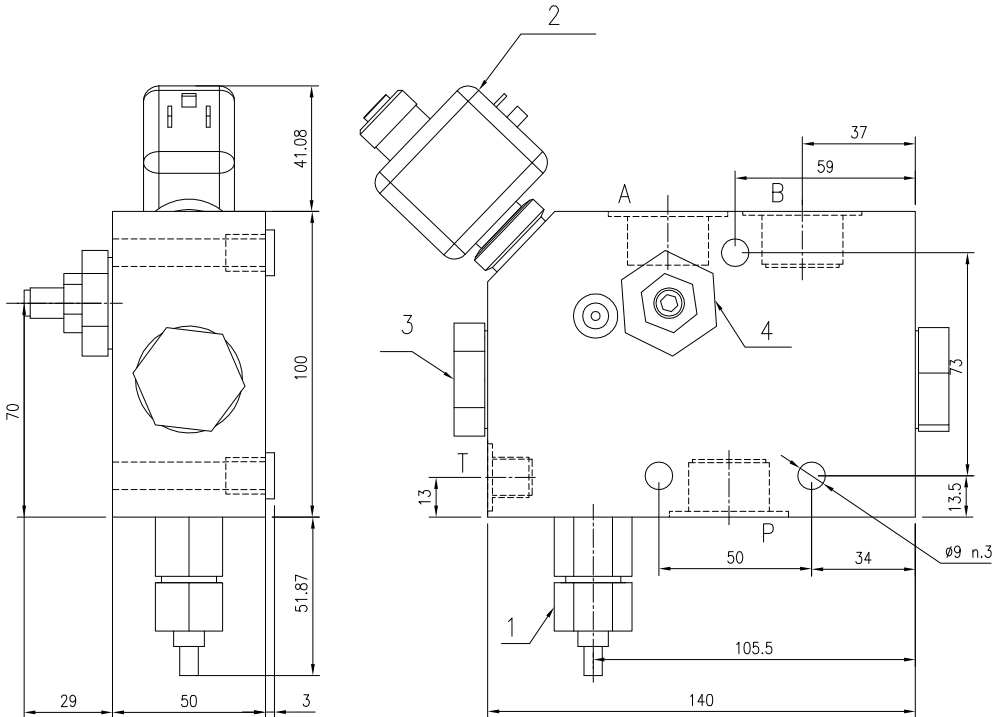




## PRODUCT REFERENCE GUIDE

### PRESSURE COMPENSATED FLOW REGULATOR, 3 WAYS WITH SOLENOID CONTROL AND RELIEF VALVE

SPFV- 04-IL



#### Specifications

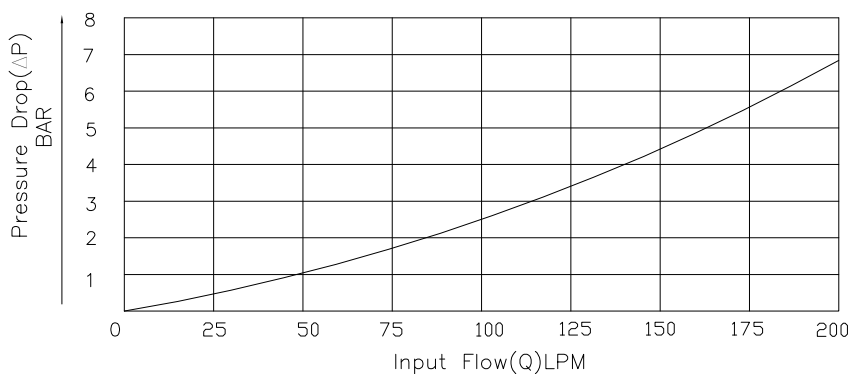
Maximum Inle Flow	200 LPM
Max. Working Pres.	350 Bar
Max. Regulated Flow In A	140 LPM
Setting Range of Relief Valve	100-350 BAR
Standard Setting of Relief Valve	180 BAR

#### General Description

The flow control valve series SPFV are 3 Way with one inlet "P" and two outlets "A" and "B", the first outlet "A" being priority, pressure compensated type with relief valve and available on demand through a solenoid cartridge; the second outlet "B" is the by-pass for all flow in excess of what demanded by priority. Both flows from "A" and "B" ports can be employed to power different functions of the machine.

These valves provide a simple and efficient way to power hydraulic tools (such as hydraulic hammer) from existing hydraulic system, without any need to modify the directional control valve.

Performance Curve



#### MOUNTING STYLE

IL INLINE

#### PORTS

P 3/4" BSP

A 3/4" BSP

B 3/4" BSP

T 1/4" BSP