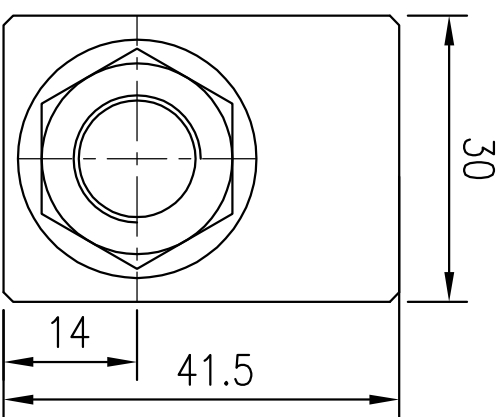
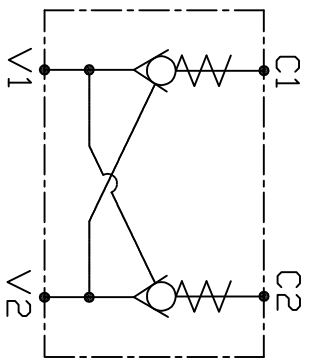
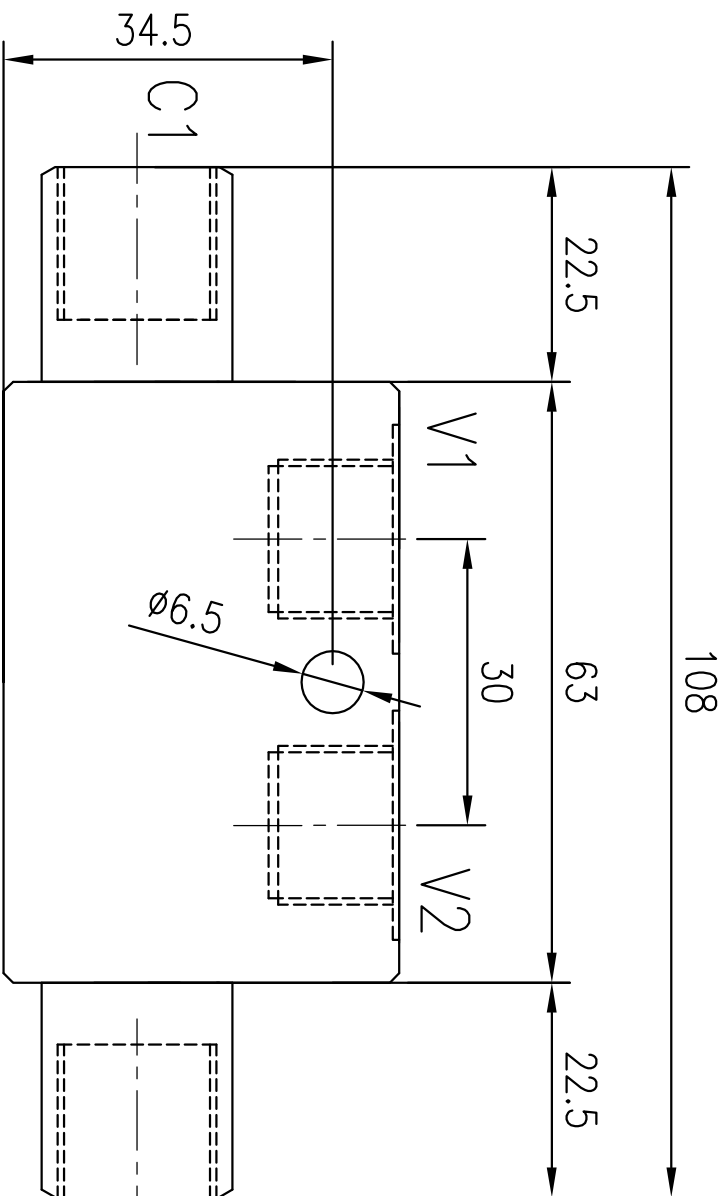


THIS DRAWING IS STRICTLY CONFIDENTIAL AND MUST NOT BE COPIED REPRODUCED WITH OUT PERMISSION OF M/S HYDRO DYNE INDUSTRIES.



PORT SIZE:- C1 ,C2 ,V1 & V2-3/8" BSP  
 MAX. FLOW:- 35LPM  
 MAX. PRESSURE:- 300 BAR

REVISION

DATE	REV. NO.	DESCRIPTION	BY

DIM.	OVER	6	30	120	315	1000	2000	4000
UP TO & INC.	6	30	120	315	1000	2000	4000	8000
TOL.	0.1	0.2	0.3	0.5	0.6	1.2	2.0	3.0

GENERAL TOLERANCES-MACHINING-ISO202 CLASS-MEDIUM	PROJ.	DWG NO:	REV.
		HDI/HV/18/0005/00/00	R1

**HYDRO DYNE INDUSTRIES**

PLOT NO:11,SECTOR NO. 02,VASAI TALUKA INDL ESTATE,GOWRAI PADA,VASAI(E)

**DYNE INDUSTRIES**

DRAWN	CHECKED	APPROVED	DATE	TITLE
SAGAR	SAGAR	-	31/03/2018	DUAL PILOT CHECK VALVE-IN LINE TYPE
				MODEL NUMBER : IDPC-03-IL-38
				REF. MODEL NUMBER :
				SCALE : N.T.S   O/A:11996