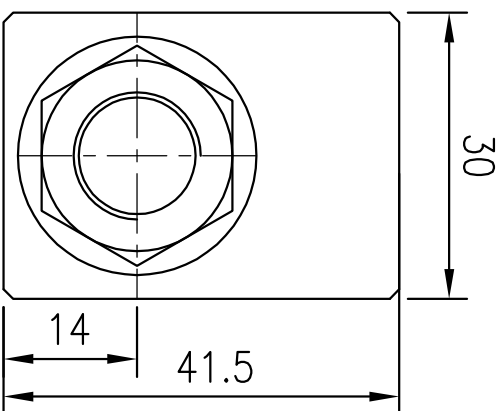
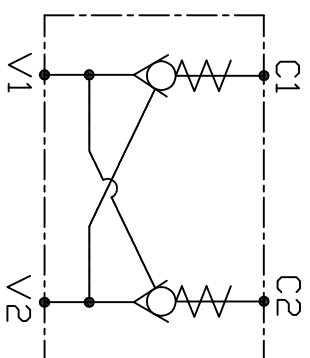
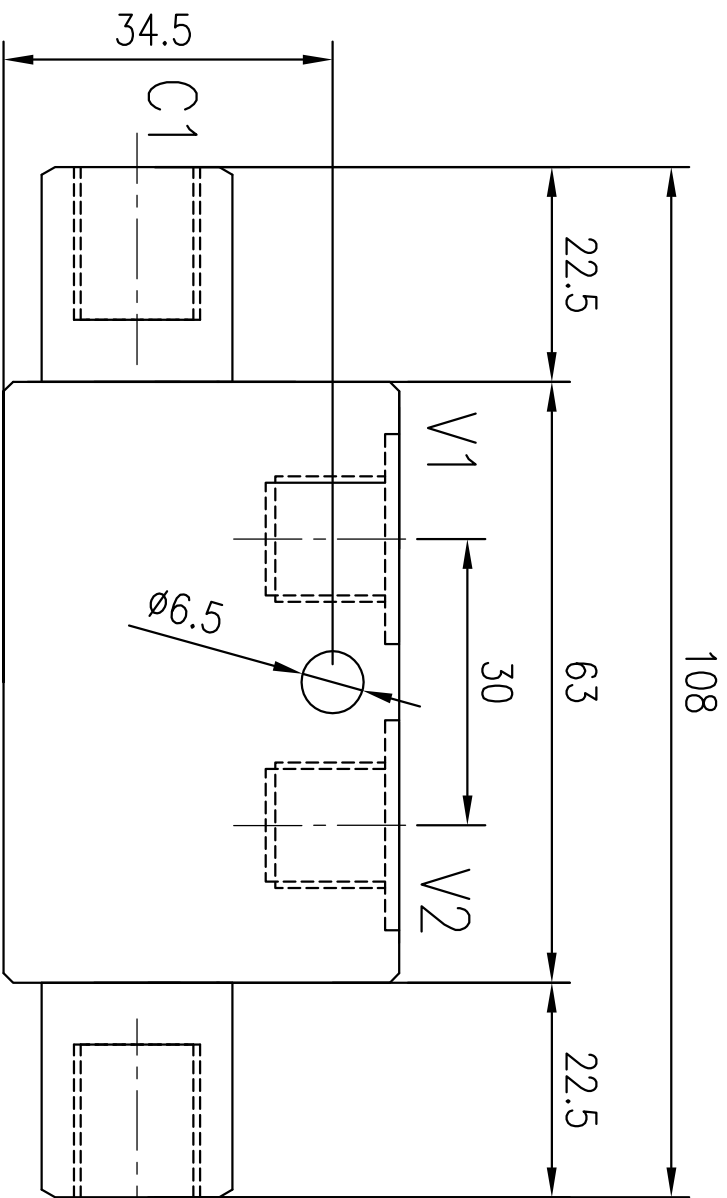


THIS DRAWING IS STRICTLY CONFIDENTIAL AND MUST NOT BE COPIED REPRODUCED WITH OUT PERMISSION OF M/S HYDRO DYNE INDUSTRIES.



PORT SIZE:- C1 ,C2 ,V1 & V2-1/4" BSP
 MAX. FLOW:- 20LPM
 MAX. PRESSURE:- 300 BAR

REVISION

DATE	REV. NO.	DESCRIPTION	BY
			SAGAR

DIM.	OVER	6	30	120	315	1000	2000	4000
UP TO & INC.	6	30	120	315	1000	2000	4000	8000
TOL.		0.1	0.2	0.3	0.5	0.6	1.2	2.0
								3.0

GENERAL TOLERANCES-MACHINING-1S2102 CLASS-MEDIUM	PROJ.	DWG NO:	REV.
		HDI/DO/18/0003/00/01	R1

HYDRO DYNE INDUSTRIES

PLOT NO:11,SECTOR NO. 02,VASAI TALUKA INDL ESTATE,GOWRAI PADA,VASAI(E)

TITLE: DUAL PILOT CHECK VALVE-IN LINE TYPE
 MODEL NUMBER : IDPC-02-IL-14
 REF. MODEL NUMBER :
 SCALE : N.T.S | O/A:

DRAWN SAGAR

CHECKED SAGAR

APPROVED -

DATE 31/03/2018

PROJ.