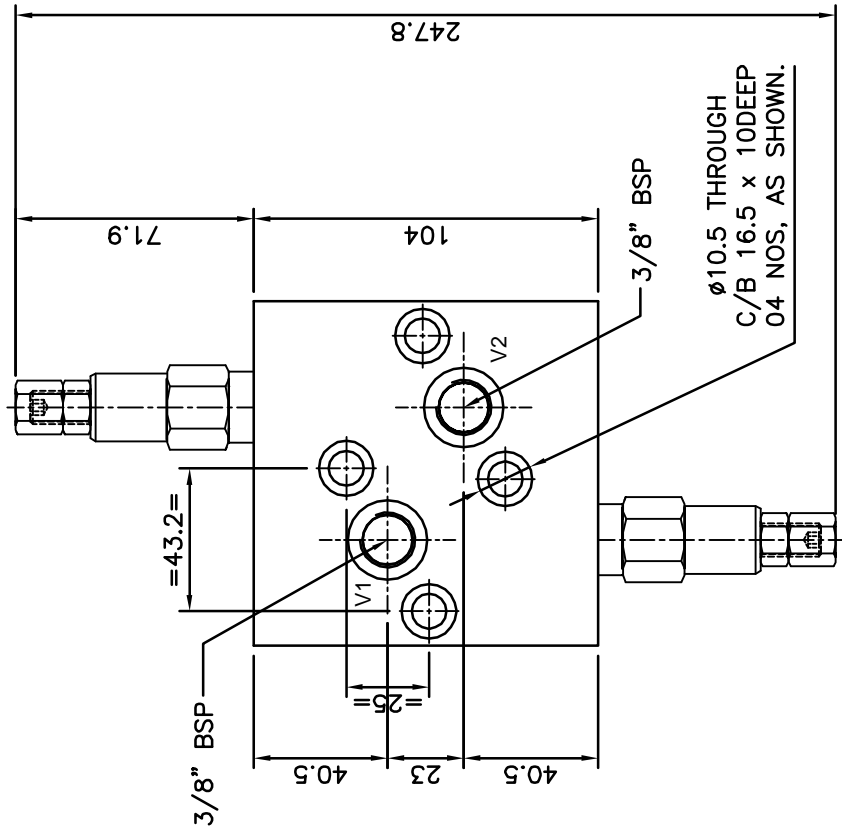
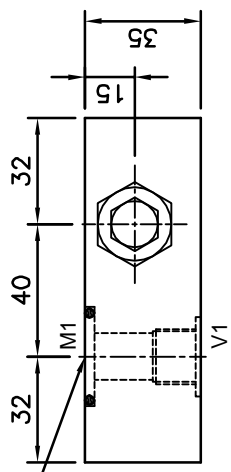
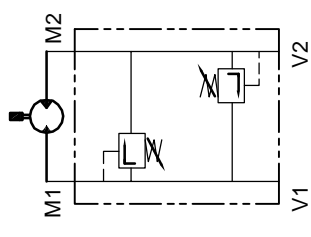


COUNTERBORE
35x2.1
ORING - 29.82x2.62



HDI VLV XRDD-03-SC-34



Schematic Symbol

General Description

The XRDD Series, Dual Cross Over Relief Valves consist of two direct acting poppet style cartridge relief valves with shuttle valve. These are designed to provide overload and shock protection. Fast response excellent stability. Install the valve as close as possible to the actuator.

Maximum Flow :- 60 LPM
Max. Operating Pressure :- 315 Bar

PORTS

V & M 3/8" BSP



HYDRO DYNE INDUSTRIES

PLOT NO.11, SECTOR NO. 02, VASAI TALUKA INDL ESTATE, GOWRAI PADA, VASAI (E)

BY	AAA
CHECKED	
APPROVED	
DATE	00/00/0000
PROJ.	

TITLE: GA OF DUAL CROSS RELIEF VALVE
HDI PAST DRG. NO. :
SCALE : N.T.S O/A:
DRG.NO. :

DATE	NO.	DESCRIPTION
00/00/0000	A	A

REV.	RO
------	----