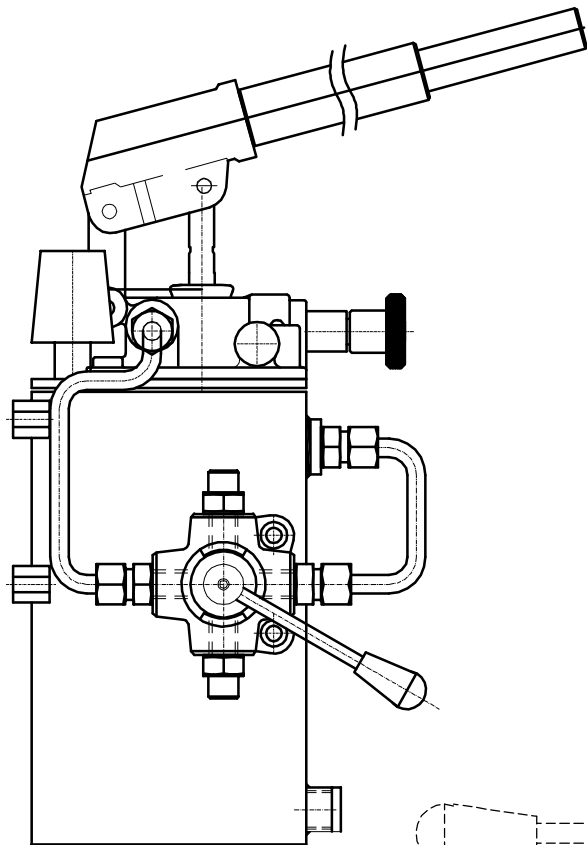


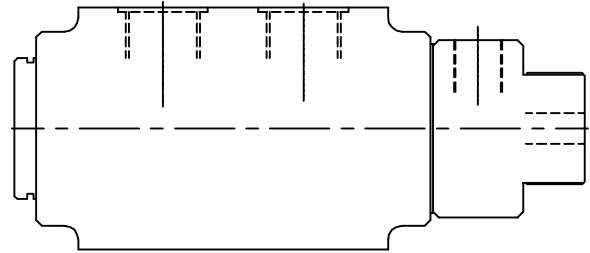
# Hydraulic Hand Pumps, Rotary Valve & Rotary couplings

## Reference Guide

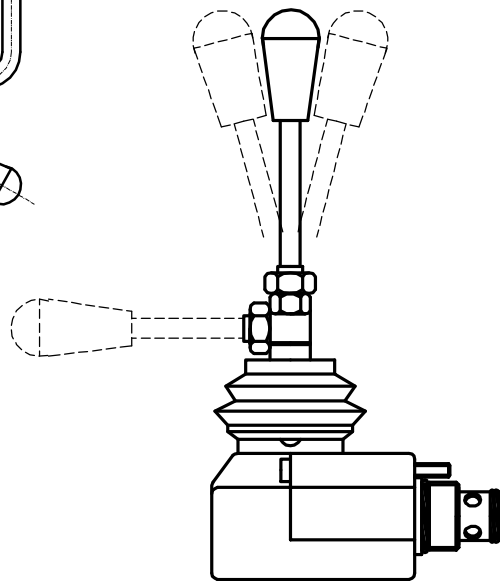
More than  
'30' Years  
of  
hydraulic  
Experience



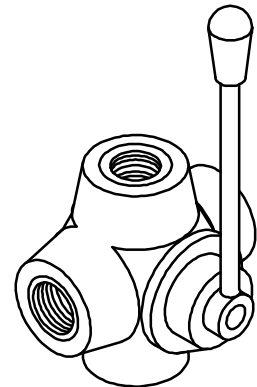
HAND PUMP WITH TANK  
& 4 WAY VALVE



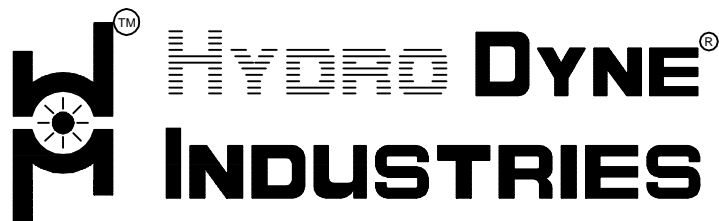
2 PASSAGE ROTARY JOINT



1.5 cc CARTRIDGE  
TYPE HAND PUMP



ROTARY SELECTOR VALVE



Total Fluidpower Performance  
An ISO 9001:2015 certified co.



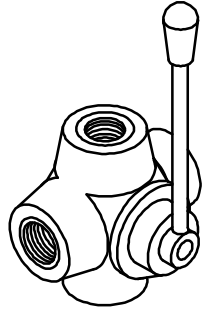
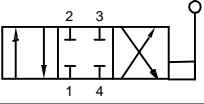
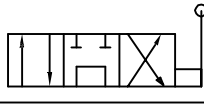
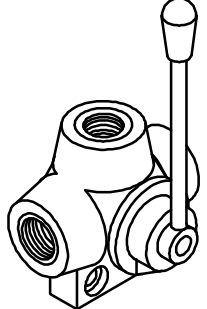
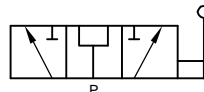
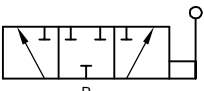
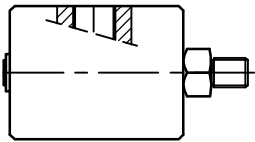
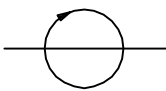
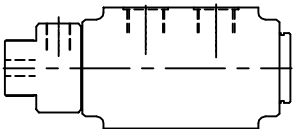
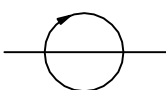
PRODUCT INDEX

HAND PUMP	MODEL NO.	Q max. cc/str.	P max bar	PORT SIZE	CAT. PAGE NO.	
	HP 1.5	1.5	210	1/4" BSP	1	
	HP 12	12	245	3/8" BSP	2	
	HP 25	25	185	3/8" BSP	2	
	HP 38	38	160	3/8" BSP	2	
	HP 50	50	120	3/8" BSP	2	
<b>HAND PUMP (WITH INTERNAL ROTARY VALVE)</b>	MODEL NO.	Q max. cc/str.	P max bar	PORT SIZE	CAT. PAGE NO.	
	HPR 12	12	245	3/8" BSP	3	
	HPR 25	25	185	3/8" BSP	3	
	HPR 38	38	160	3/8" BSP	3	
	HPR 50	50	120	3/8" BSP	3	
<b>HAND PUMP (INLINE BODY)</b>	MODEL NO.	Q max. cc/str.	P max bar	PORT SIZE	CAT. PAGE NO.	
	HP 5.5	5.5	245	1/4" BSP	4	
	HP 16	16	120	3/8" BSP	4	
<b>HAND PUMP (WITH EXTERNAL ROTARY VALVE)</b>	MODEL NO.	Q max. cc/str.	P max bar	PORT SIZE	CAT. PAGE NO.	
	HPR E 12	12	315	3/8" BSP	5	
	HPR E 25	25	175	3/8" BSP	5	
	HPR E 38	38	120	3/8" BSP	5	
	HPR E 50	50	90	3/8" BSP	5	
<b>TANK FOR HAND PUMP</b>	MODEL NO.	Capacity In liters			CAT. PAGE NO.	
	PT 1	1			6	
	PT 3	3			6	
	PT 5	5			6	
	PT 10	10			6	





PRODUCT INDEX

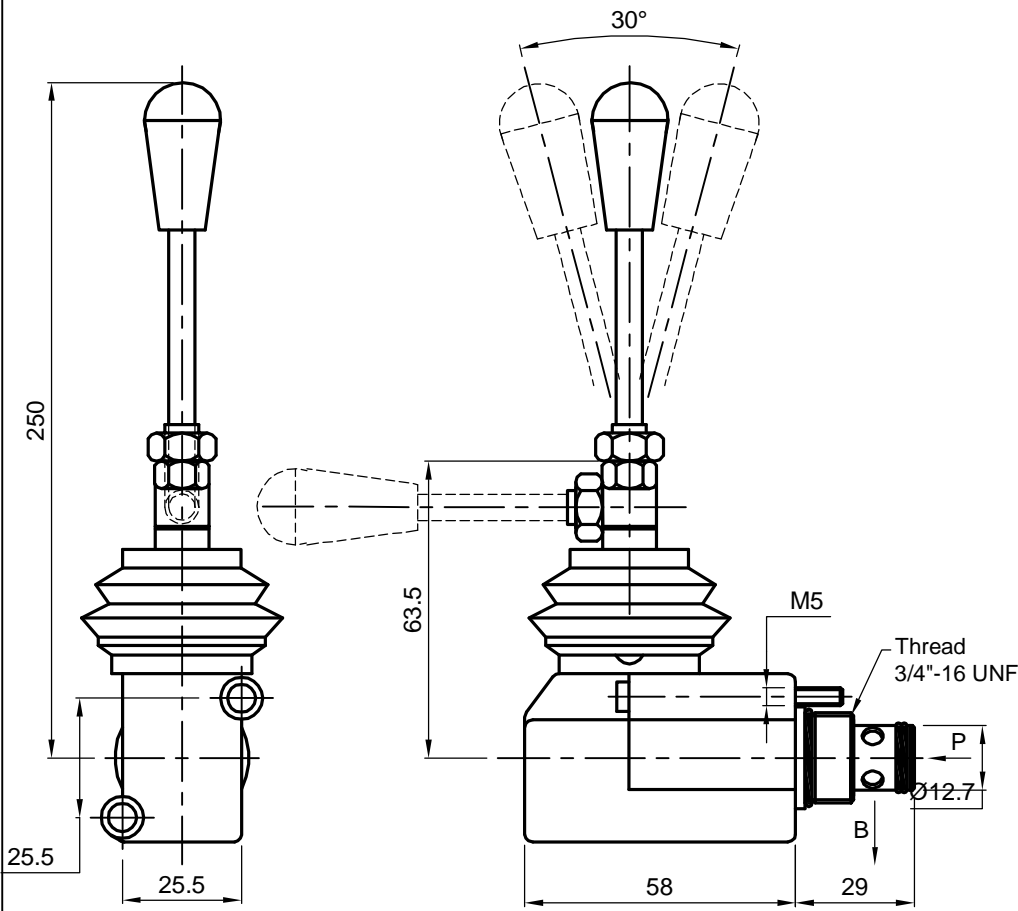
4 WAY MANUAL ROTARY VALVES	MODEL NO.	Q max l/min	P max bar	PORT SIZE	CAT. PAGE NO.	
	DC M43C	40	245	3/8" BSP	7	
	DC M43T	40	245	3/8" BSP	7	
3 WAY MANUAL ROTARY VALVES	MODEL NO.	Q max l/min	P max bar	PORT SIZE	CAT. PAGE NO.	
	DCM33P	40	245	3/8" BSP	7	
	DCM33C	40	245	3/8" BSP	7	
SINGLE PASSAGE ROTARY COUPLING	MODEL NO.	Q max l/min	P max bar	PORT SIZE	PAGE NO.	
	RC 11 2M	38	160	1/2" & 3/8" BSP	8	
	RC 11 3M	76	160	3/4" & 1/2" BSP	8	
DOUBLE PASSAGE ROTARY COUPLING	MODEL NO.	Q max l/min	P max bar	PORT SIZE	PAGE NO.	
	RC 22 3M	76	160	1" & 1/2" BSP	9	
	RC 22 4M	125	160	1 1/4" & 3/4" BSP	9	
	RC 22 5M	180	160	1 1/2" & 3/4" BSP	9	



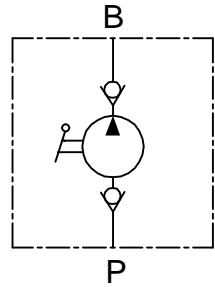
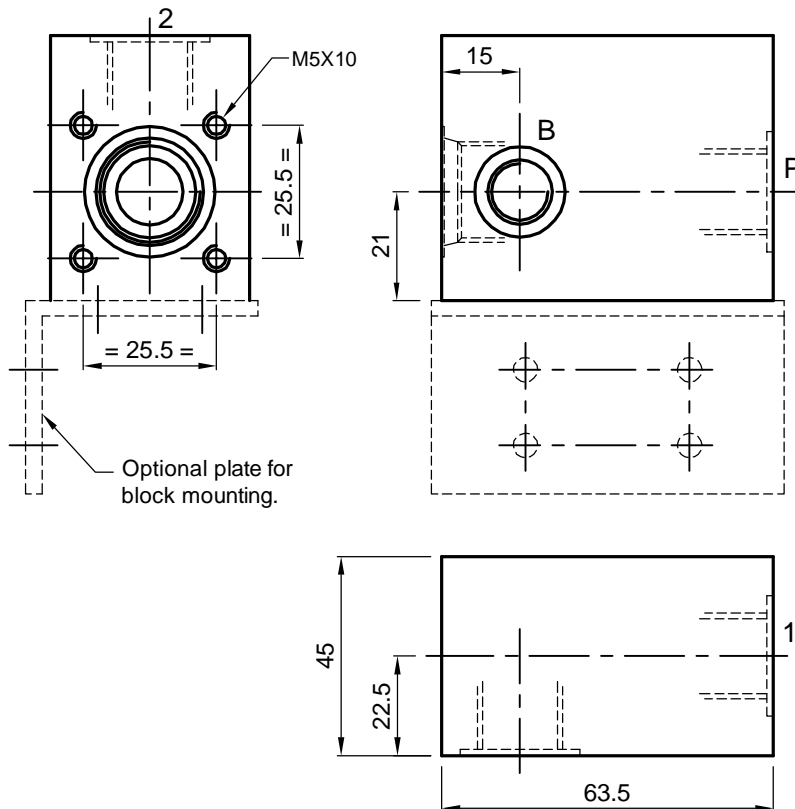


HAND PUMP (CARTRIDGE TYPE)

HP 1.5 YY-ZZ



Body For Cartridge



Specifications

Displacement	1.5 cc
Maximum Pressure	210 Bar
Cavity	C08-2

General Description

The HP Series, Hand Pump Cartridge allow oil flow in one direction. They are equipped with a lever and optional inline block which provide flexibility for use.

YY Mounting Style

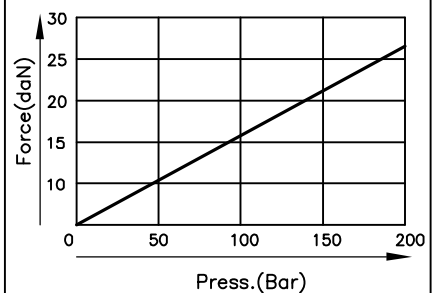
CT Cartridge

IL Inline

ZZ Ports

14 1/4" BSP

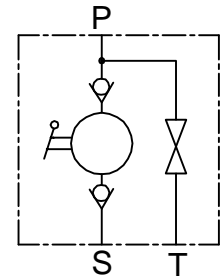
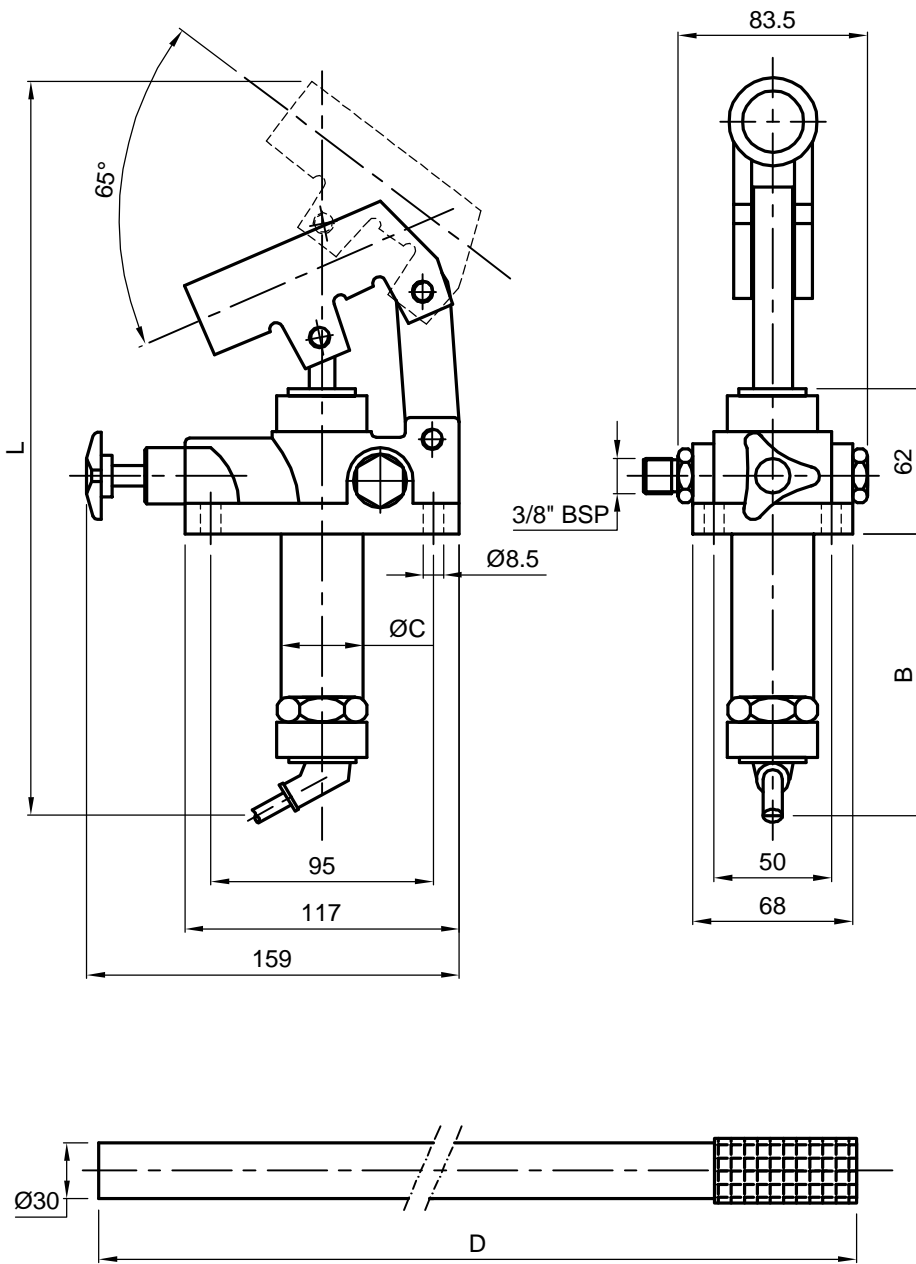
Performance Curve





HAND PUMP WITHOUT ROTORY VALVE

HP XX-Y-Z-A



Specifications

Max. Working Press.	12 CC	245 BAR
	25 CC	185 BAR
	38 CC	160 BAR
Mounting	50 CC	120 BAR
	No Restriction	

General Description

The HP Series, Hand Pump allow oil in flow in both direction. They equipped with lever.

XX	Displacement in cm <sup>3</sup>
12	12
25	25
38	38
50	50

Y	Relief Valve
*	Without Relief
R	With Relief

Z	Needle Valve
*	Without Needle
N	With Needle

A	Tank
*	Without Tank
T	With Tank

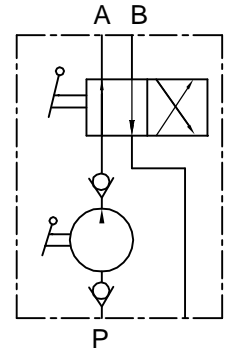
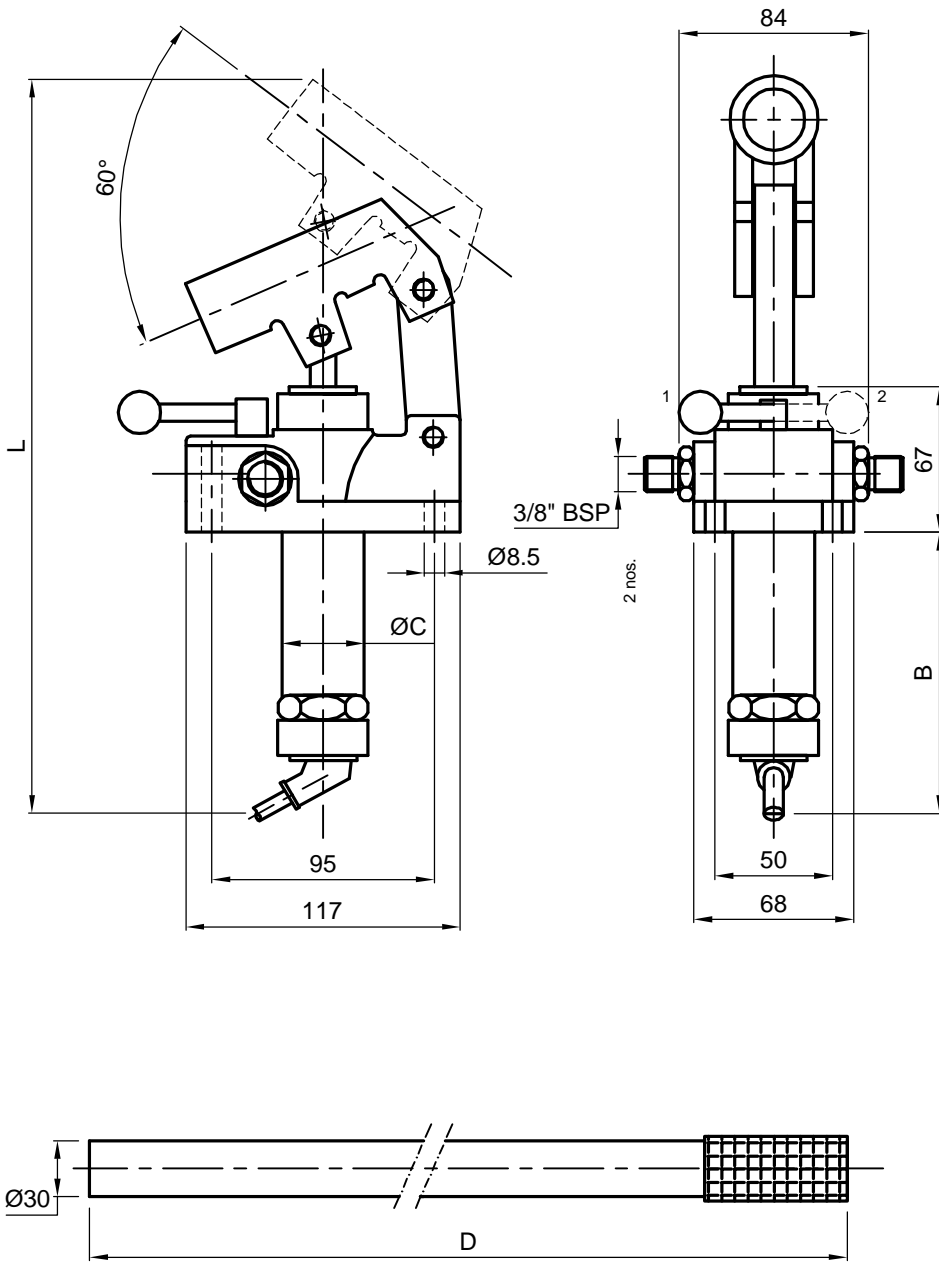
Table For Dimensions

XX	Q cm <sup>3</sup> Disp.	Press. max.	B	ØC	L	D
12	12	245	125	35	325	610
25	25	185	125	35	325	610
38	38	160	125	35	325	750
50	50	120	125	35	325	750



HAND PUMP WITH ROTARY VALVE

HPR XX-Y-Z-A



Specifications

Max. Working Press.	12 CC	245 BAR
	25 CC	185 BAR
	38 CC	160 BAR
	50 CC	120 BAR
Mounting	No Restriction	

General Description :

The HPR Series , Hand Pump With Rotary Valve are equipped with internal 4-way flow diverter and lever.

XX	Displacement in cm <sup>3</sup>
12	12
25	25
38	38
50	50

Y	Relief Valve
*	Without Relief
R	With Relief

Z	Needle Valve
*	Without Needle
N	With Needle

A	Tank
*	Without Tank
T	With Tank

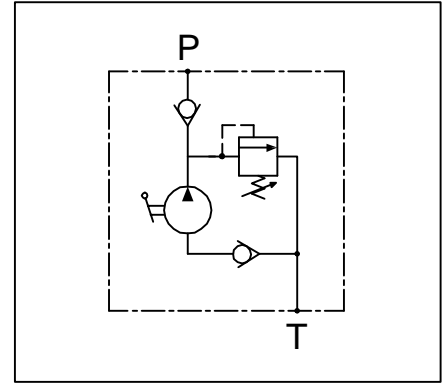
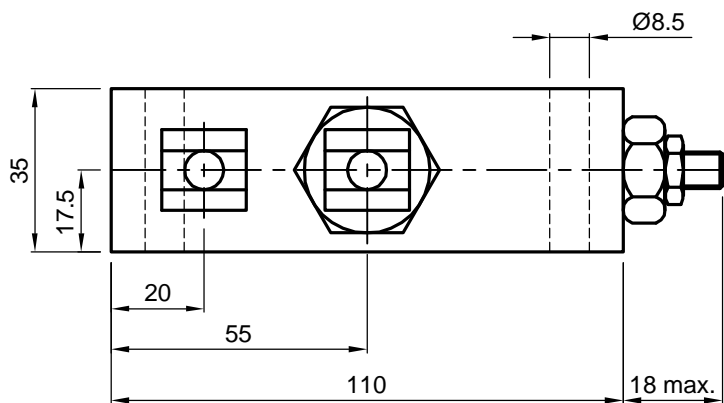
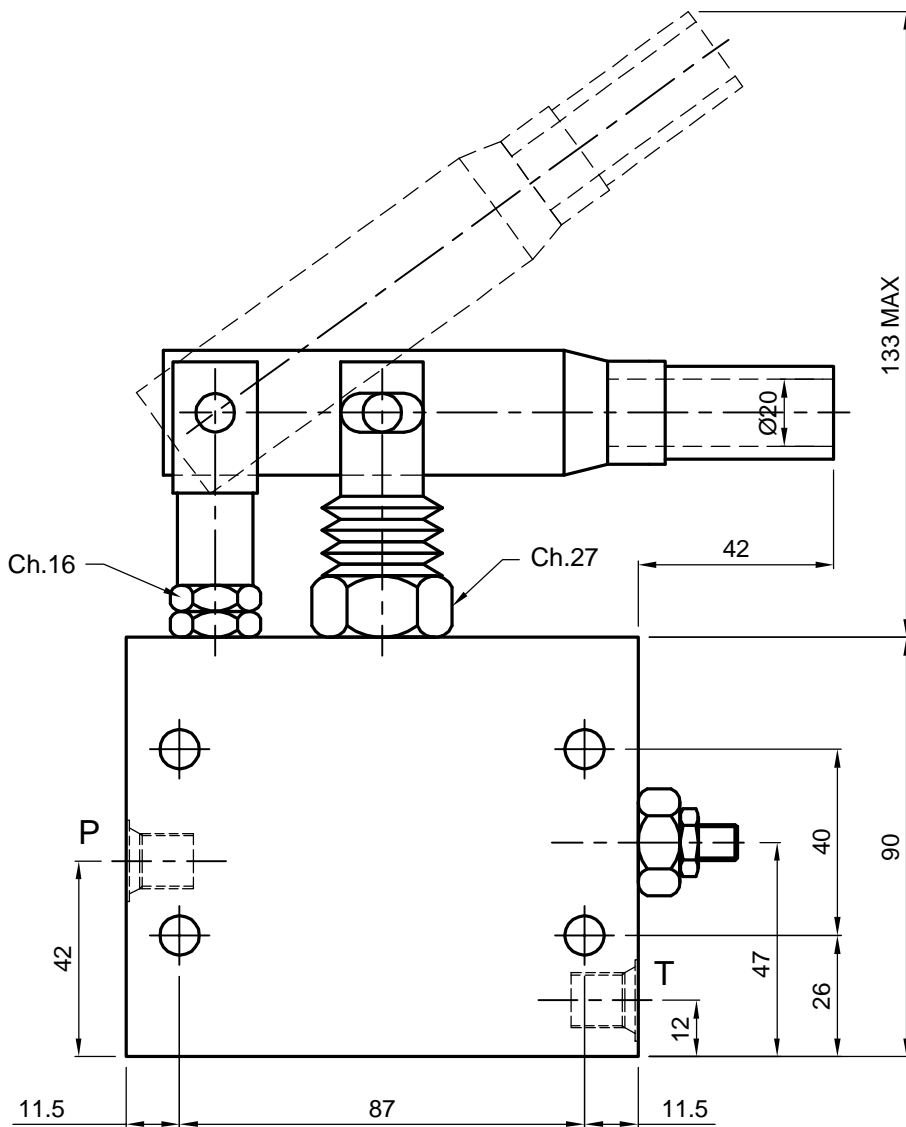
Table For Dimensions

XX	Q cm <sup>3</sup> Disp.	Press. max.	B	ØC	L	D
12	12	245	125	35	325	610
25	25	185	125	35	325	610
38	38	160	125	35	325	750
50	50	120	125	35	325	750



HAND PUMP (INLINE BODY)

HP-XX-IL-YY



General Description

The HP Series, Hand Pump allow oil flow in one direction. They are equipped with an inbuilt check, relief valve and lever.

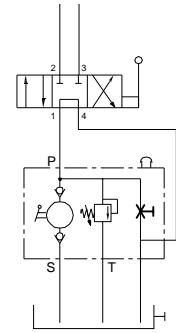
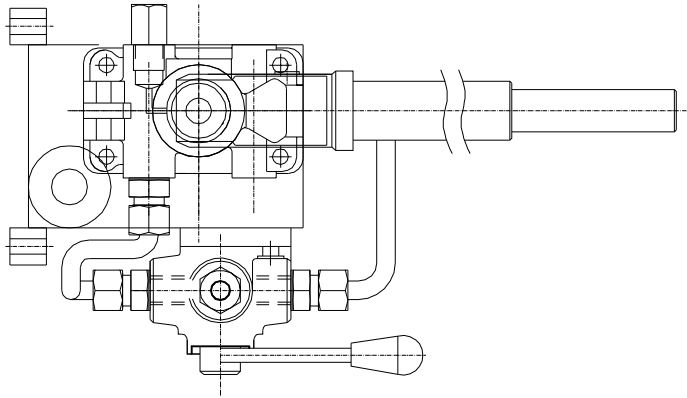
XX	DISP. & MAX. PR.
05	5.5cc & 210 bar
16	16cc & 120 bar

ZZ	Ports
14	1/4" BSP
38	3/8" BSP



HAND PUMP WITH EXTERNAL ROTARY VALVE  
AND INBUILT RELIEF & NEEDLE VALVE

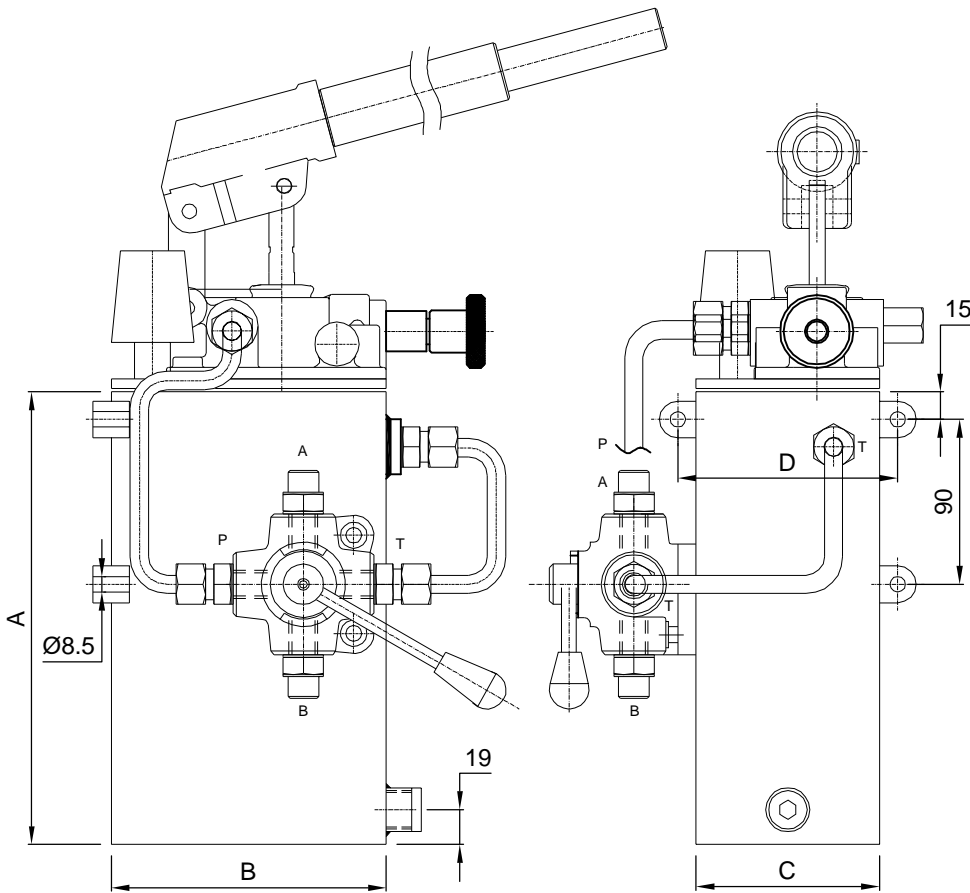
HPR-E- **XX-YY-ZZ**



General Description

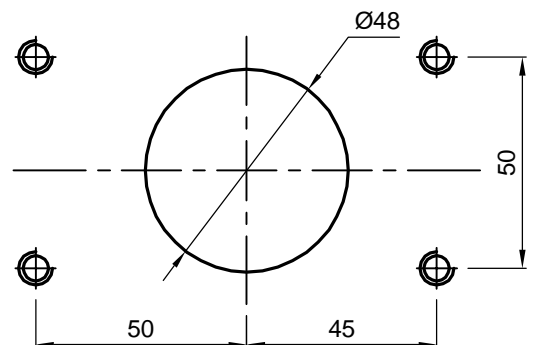
The HPR-E Series, Hand Pumps With Rotary Valves are equipped with external flow diverter and lever.

XX	DISP. & MAX. PR.
12	12cc & 315 bar
25	25cc & 175 bar
38	38 cc & 120 bar
50	50 cc & 90 bar



YY	DC VALVE CONFIGURATION
01	
02	
03	

ZZ	Capacity (Liters)	A	B	C	D
01	1	120	150	100	120
03	3	247	150	100	120
05	5	200	175	175	195
10	10	376	175	175	195



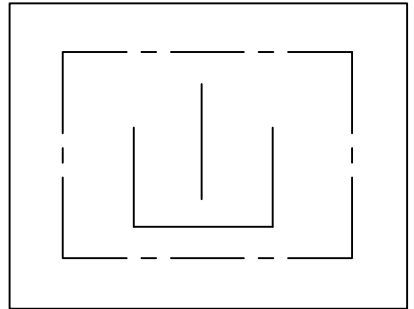
Drilling to be carried out on the tank for the fixing of the pump.





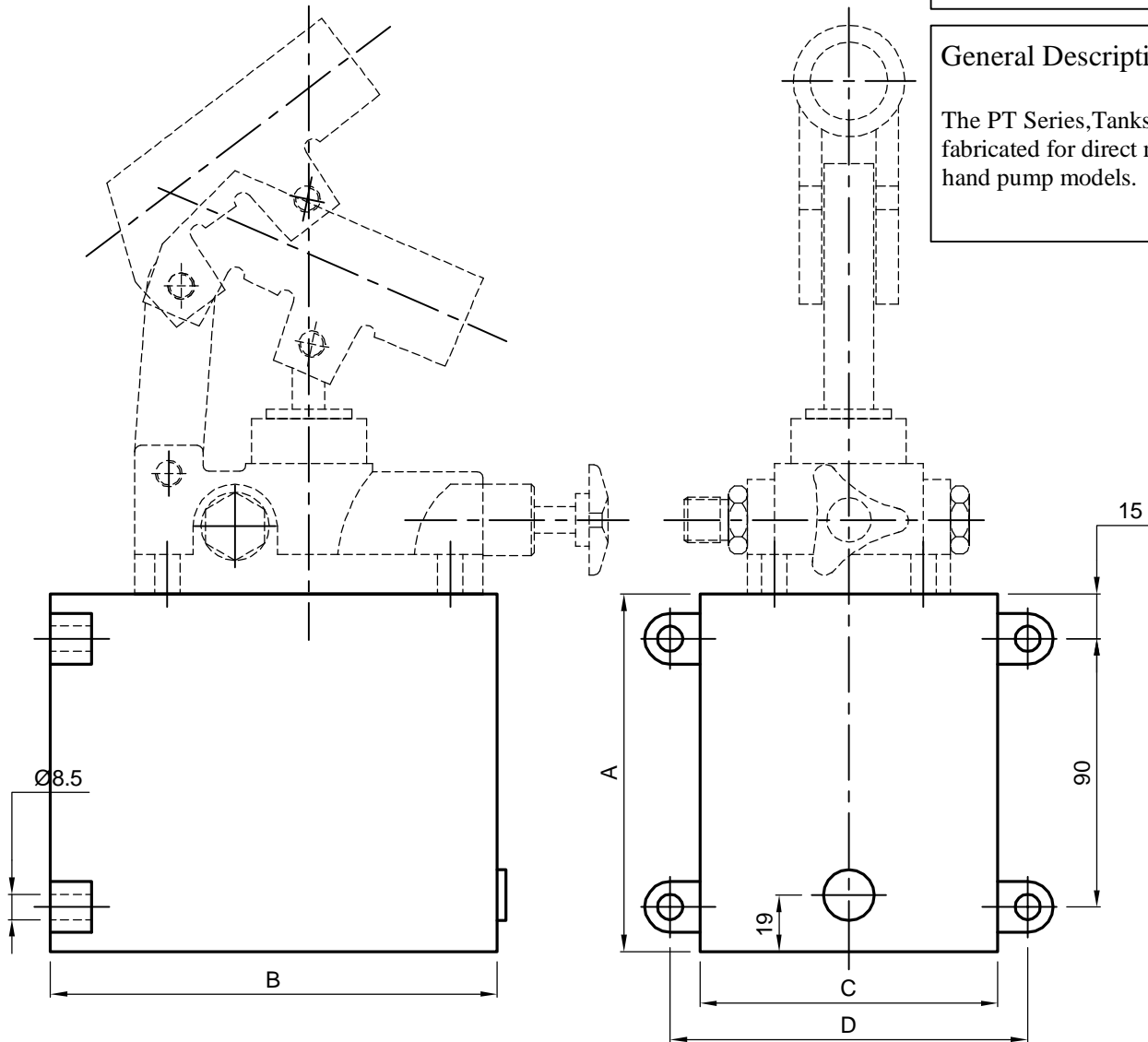
TANK FOR HAND PUMP

PT-XX

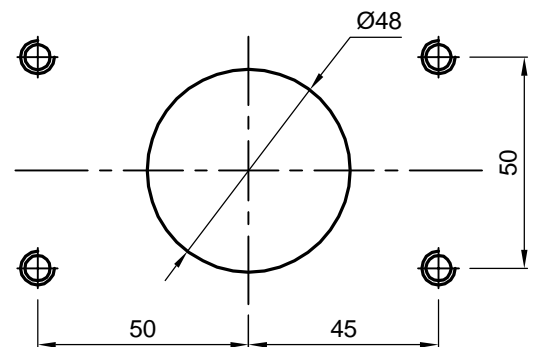


**General Description**

The PT Series, Tanks are M.S. fabricated for direct mounting hand pump models.



XX	Capacity (Liters)	A	B	C	D
01	1	120	150	100	120
03	3	247	150	100	120
05	5	200	175	175	195
10	10	376	175	175	195



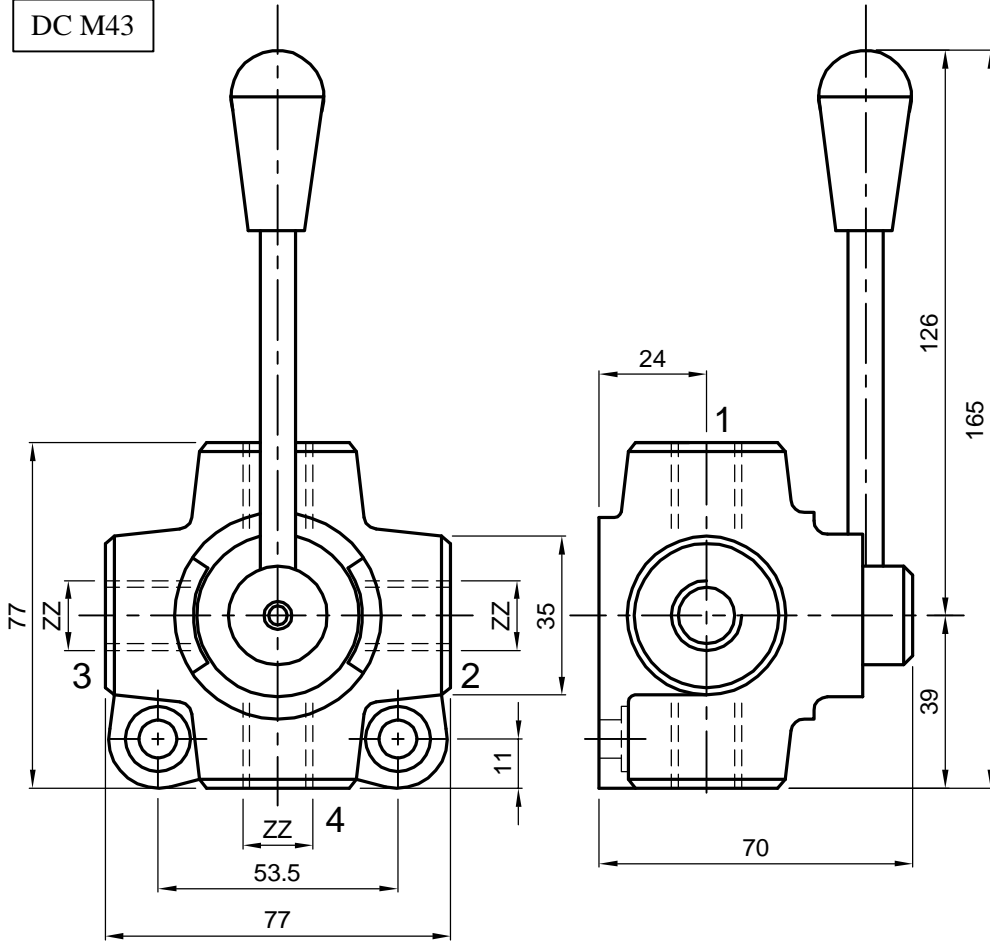
Drilling to be carried out on the tank for the fixing of the pump.



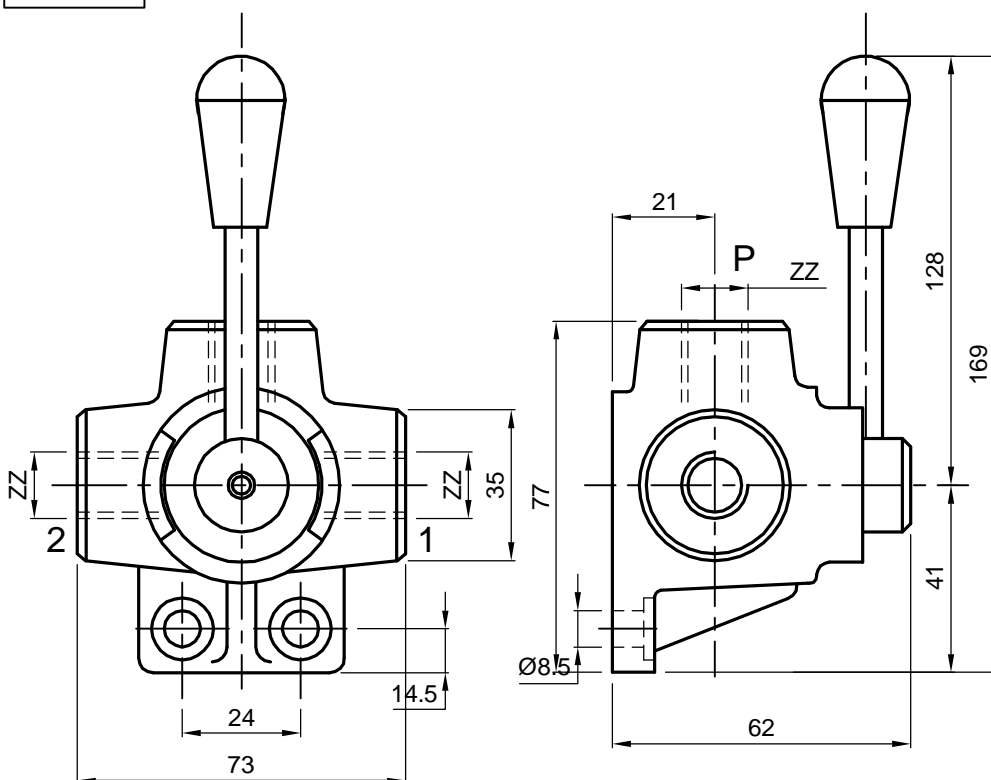
MANUAL ROTARY VALVE

DC M-XX-YY-ZZ

DC M43



DC M43



Specifications

Maximum Flow	40 LPM
Maximum Pressure	245 Bar

General Description

The DC M Series, High Pressure manual rotary Valves Are Employed To Reverse The Oil Flow.

XX	VALVE TYPE
43	4 WAY 3 POSITION
33	3 WAY 3 POSITION

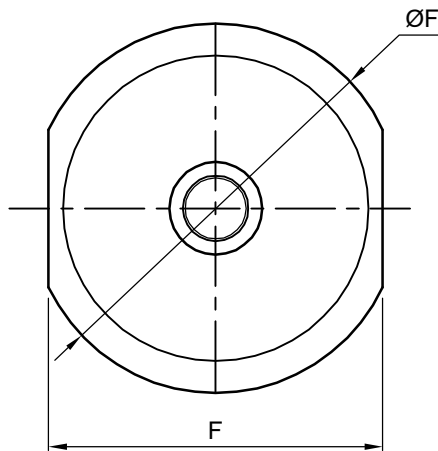
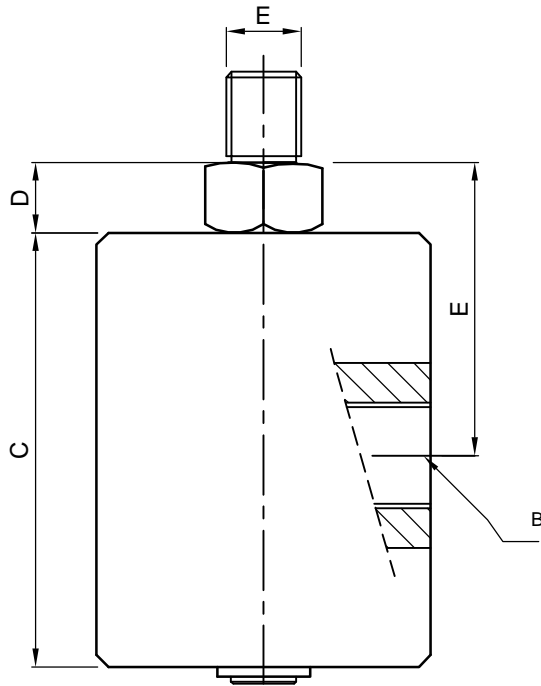
YY	DC VALVE CONFIGURATION
01	
02	
03	
04	
05	

ZZ	PORTS
38	3/8" BSP

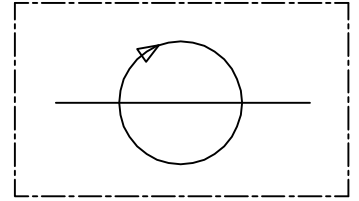


SINGLE PASSAGE ROTORY COUPLING

RC 11 -XX



**NOTE : Couplings with different port size and specifications than standard can be supplied upon request .**



Specifications

Max. Working Pressure	For Hydraulics : 160 bars For Pneumatics : 10 bars
Max. Speed	100 RPM at 35 bars

General Description

**The RC series , single passage rotary couplings give continuous oil supply from inlet to outlet port when 360 ° rotation is given between inlet and outlet ports .**

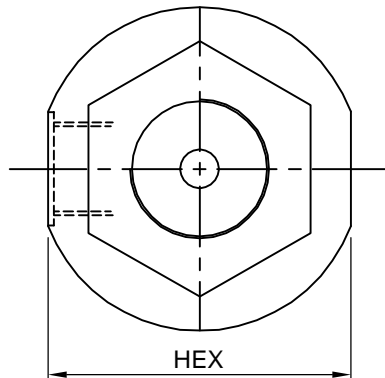
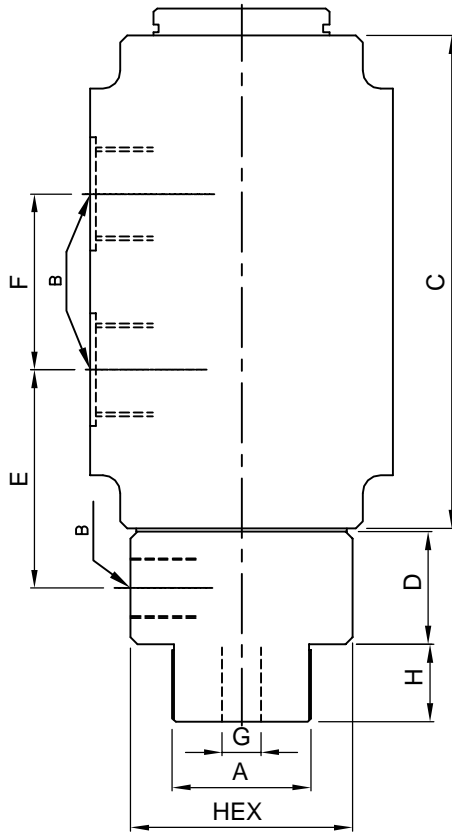
**DIMENSIONAL CHART :**

XX	MODEL	A	B	C	D	E	F	G	RATED FLOW (LPM)
2M	RC 11 2M	1/2"BSP	3/8"BSP	74	12	50	58	13	38
3M	RC 11 3M	3/4"BSP	1/2"BSP	92.5	15	62.5	72	15	55

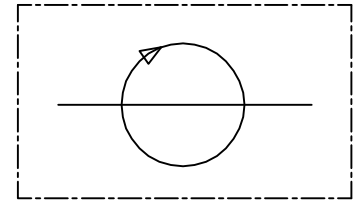


SINGLE PASSAGE ROTORY COUPLING

RC 22 -XX



**NOTE : Couplings with different port size and specifications than standard can be supplied upon request .**



Specifications

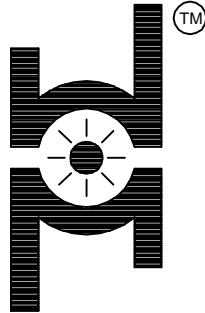
Max. Working Pressure	For Hydraulics : 160 bars For Pneumatics : 10 bars
Max. Speed	100 RPM at 35 bars

General Description

The RC series , Double passage rotary couplings give continuous oil supply from two inlets to two outlet ports independently when a rotary motion is given between inlet and outlet ports . The valve can also be modified to give one inlet and two outlet (vice-versa) ports .

DIMENSIONAL CHART :

XX	MODEL	HEX	A	B	C	D	E	F	G	H	RATED FLOW (LPM)
3M	RC 22 3M	63	1"BSP	1/2"BSP	140	32	73	50	15	18	76
4M	RC 22 4M	86	1 1/4"BSP	3/4"BSP	140	32	62	50	21	22	125
5M	RC 22 5M	86	1 1/2"BSP	3/4"BSP	160	40	85	58	25	22	180



# HYDRO DYNE<sup>®</sup> INDUSTRIES

Plot No.11, Sector No.2, Vasai Taluka Indl. Co-op. Estate Ltd.,  
Gourai Pada, Vasai Road (E), Maharashtra - 401 208

Tel. :0250-6457480/81/82 , Mob. 09325004415

E-mail : [mktg@hydrodyneindustries.com](mailto:mktg@hydrodyneindustries.com)

Website : [www.hydrodyneindustries.com](http://www.hydrodyneindustries.com)