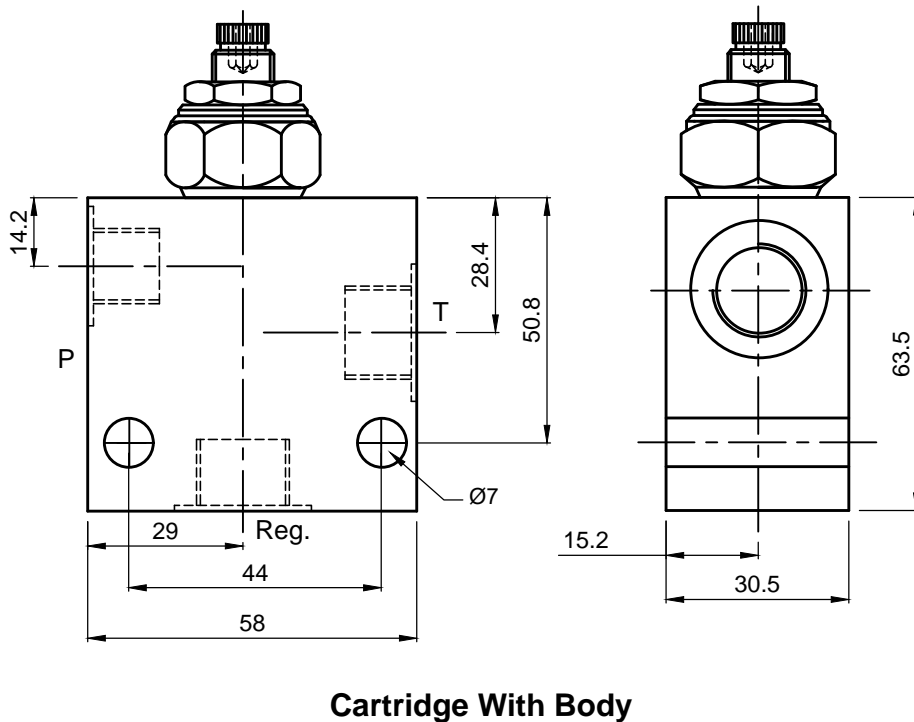


Specifications :

Maximum Flow	23 LPM
Max. Reducing or Relieving Setting Pressure	245 Bar
Cavity	C08-3

General Description

The PRR Series, Pilot Operated, Pressure Reducing/Relieving Valves can be used in any application where a regulated pressure lower than system pressure is required. The valve also acts as a relief valve, relieving any shocks or surges at the regulated port to tank. The integral check valve allows reverse free flow through the valve.



XX	Mounting Style
00	Cartridge
IL	Inline

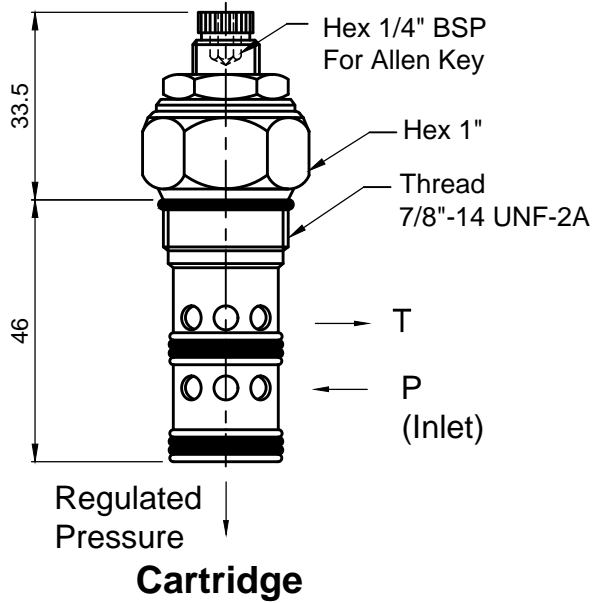
YY	Reg.Press.Range (Bar)
10	10 - 105
20	20-170
30	30 - 245

ZZ	PORTS
00	Cartridge
12	3/8" BSP (STD.)
38	1/4" BSP

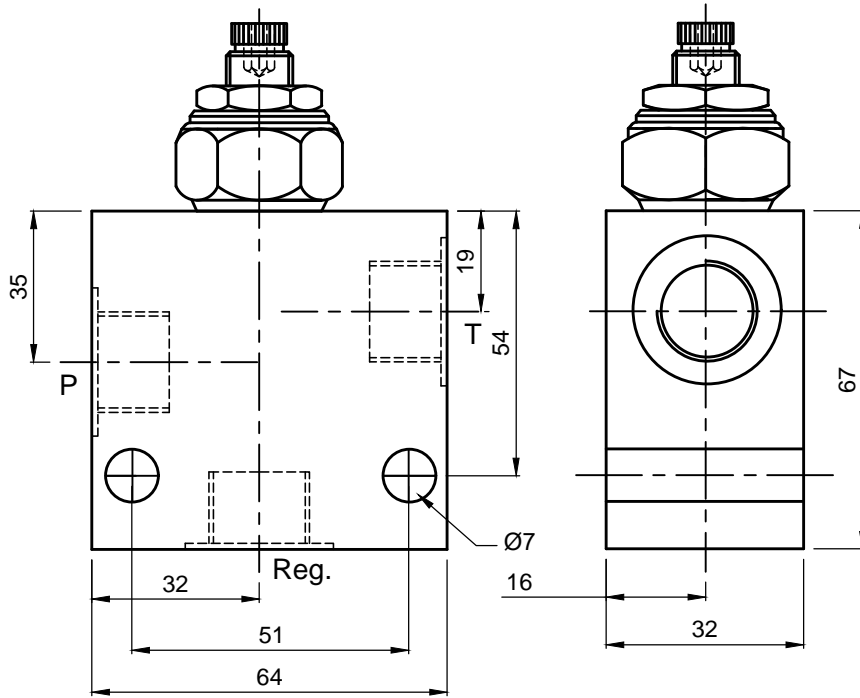


PRESSURE REDUCING/RELIEVING VALVES

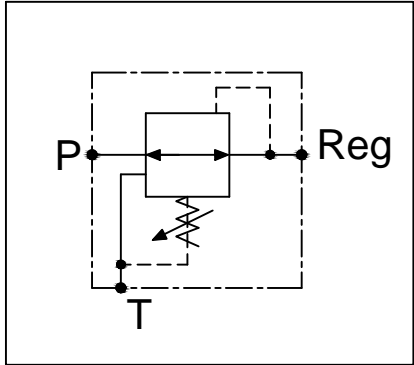
PRR 03-XX-YY-ZZ



Cartridge



Cartridge With Body



Specifications :

Maximum Flow	60 LPM
Max. Reducing or Relieving Setting Pressure	245 Bar
Cavity	C10-3

General Description

The PRR Series, Pilot Operated, Pressure Reducing/Relieving Valves can be used in any application where a regulated pressure lower than system pressure is required. The valve also acts as a relief valve, relieving any shocks or surges at the regulated port to tank. The integral check valve allows reverse free flow through the valve.

XX	Mounting Style
00	Cartridge
IL	Inline

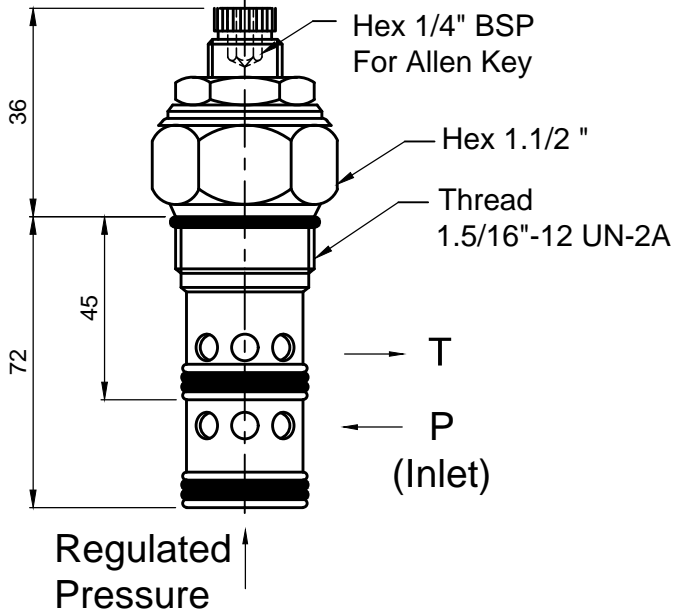
YY	Reg.Press.Range (Bar)
10	10 - 105
20	20-170
30	30 - 245

ZZ	PORTS
00	Cartridge
12	1/2" BSP (STD.)
38	3/8" BSP

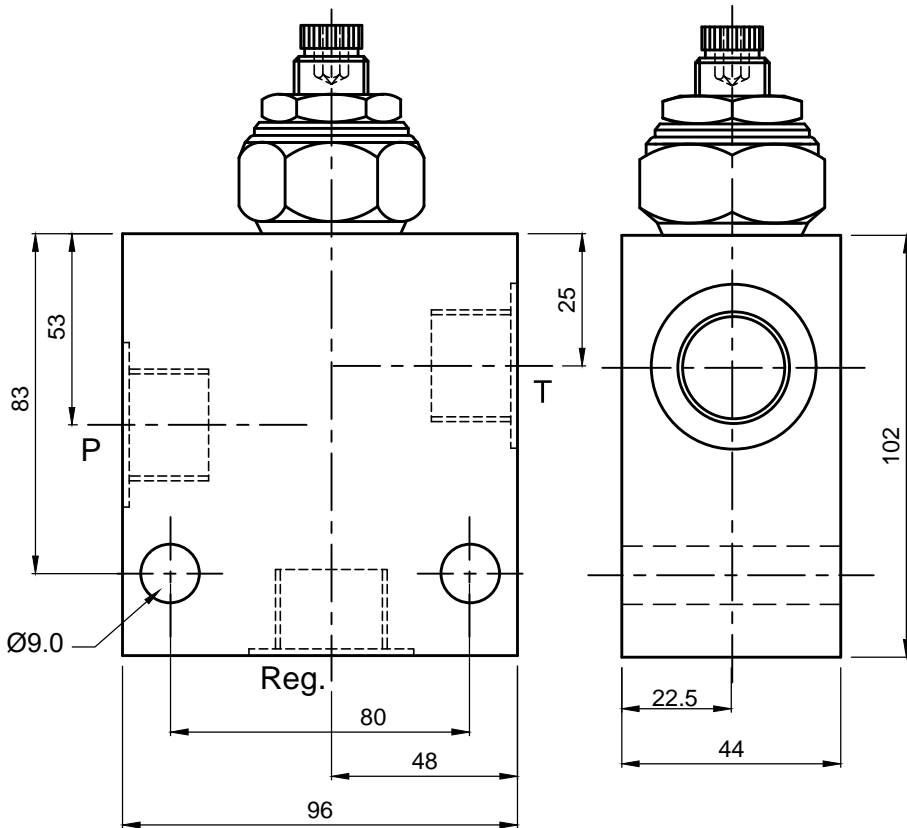


PRESSURE REDUCING/RELIEVING VALVES

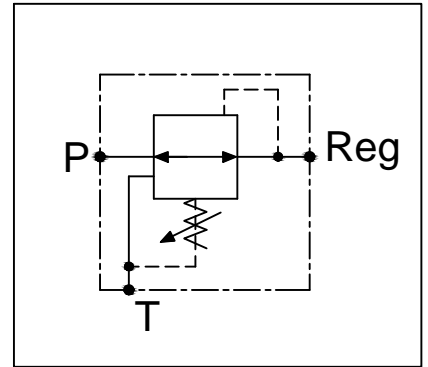
PRR 04-XX-YY-ZZ



Cartridge



Cartridge With Body



Specifications :

Maximum Flow	120 LPM
Max. Reducing or Relieving Setting Pressure	245 Bar
Cavity	C16-3

General Description

The PRR Series, Pilot Operated, Pressure Reducing/Relieving Valves can be used in any application where a regulated pressure lower than system pressure is required. The valve also acts as a relief valve, relieving any shocks or surges at the regulated port to tank. The integral check valve allows reverse free flow through the valve.

XX	Mounting Style
00	Cartridge
IL	Inline

YY	Reg.Press.Range (Bar)
10	10 - 105
20	20-170
30	30 - 245

ZZ	PORTS
00	Cartridge
34	3/4" BSP (STD.)
10	1" BSP