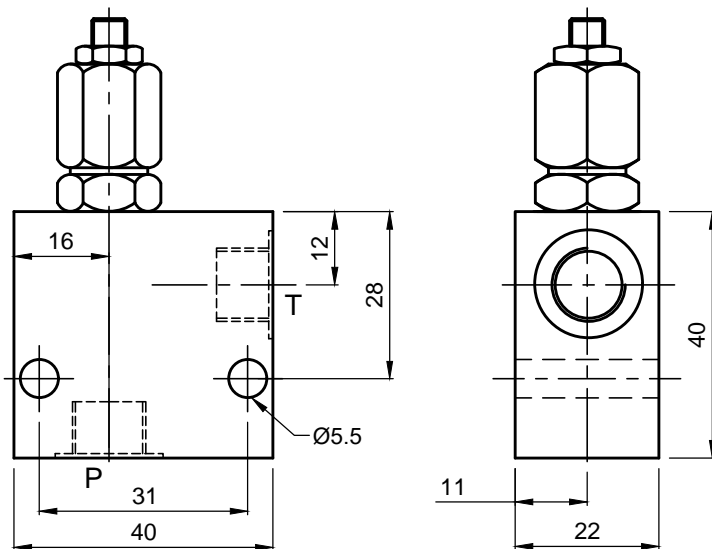
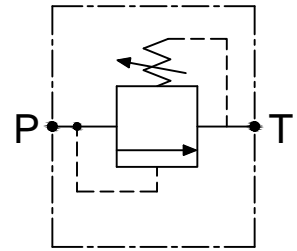


Cartridge



Cartridge With Body



Specifications

| | |
|--------------------------|-----------------------|
| Maximum Flow | 5 LPM |
| Maximum Setting Pressure | 245 Bar |
| Reseat Pressure | 80% of crack pressure |
| Cavity | M12-1 |

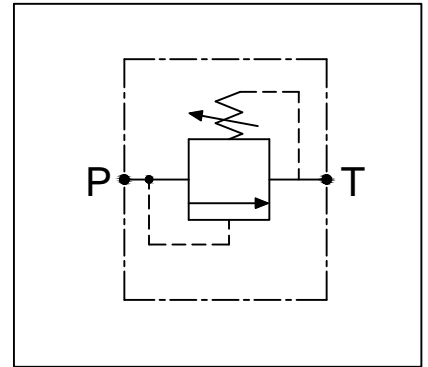
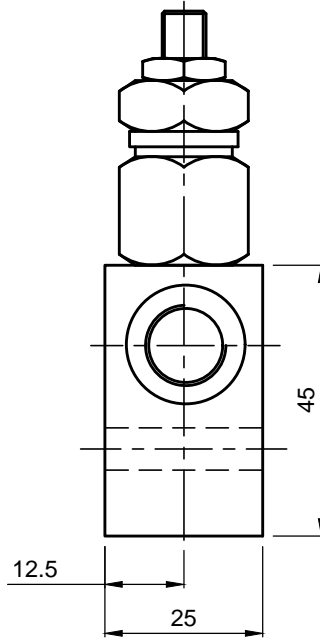
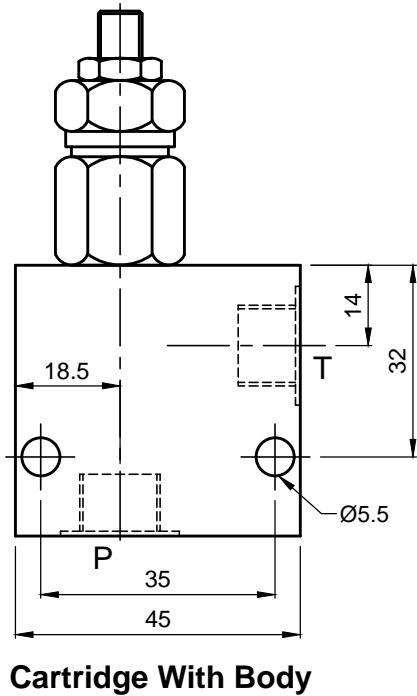
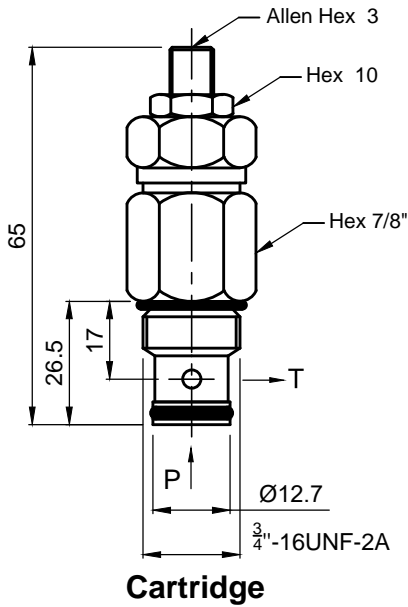
General Description

The RD series, Direct Acting type Relief Valves are suited for continuous duty applications and offer stable performance and quick response. Primarily these are used to limit main system pressure.

| | |
|-----------|-----------------------|
| XX | Mounting Style |
| 00 | Cartridge |
| IL | Inline Mounting |

| | |
|-----------|-------------------------|
| YY | Press.Range(Bar) |
| 10 | 10 - 105 |
| 20 | 20 - 170 |
| 30 | 30 - 245 |

| | |
|-----------|----------------|
| ZZ | PORTS |
| 00 | Cartridge |
| 14 | 1/4" BSP (STD) |
| 38 | 3/8" BSP |



Specifications

| | |
|--------------------------|-----------------------|
| Maximum Flow | 20 LPM |
| Maximum Setting Pressure | 245 Bar |
| Reseat Pressure | 80% of crack pressure |
| Cavity | C08-2 |

General Description

The RD series, Direct Acting type Relief Valves are suited for continuous duty applications and offer stable performance and quick response. Primarily these are used to limit main system pressure.

| | |
|-----------|-----------------------|
| XX | Mounting Style |
| CT | Cartridge |
| IL | Inline Mounting |

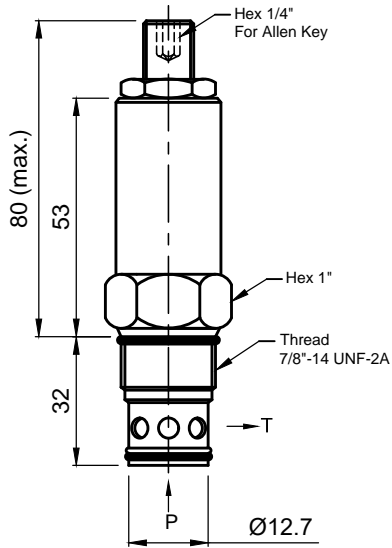
| | |
|-----------|-------------------------|
| YY | Press.Range(Bar) |
| 10 | 10 - 105 |
| 20 | 20 - 170 |
| 30 | 30 - 245 |

| | |
|-----------|-----------------|
| ZZ | PORTS |
| 00 | Cartridge |
| 38 | 3/8" BSP (STD.) |
| 12 | 1/2" BSP |

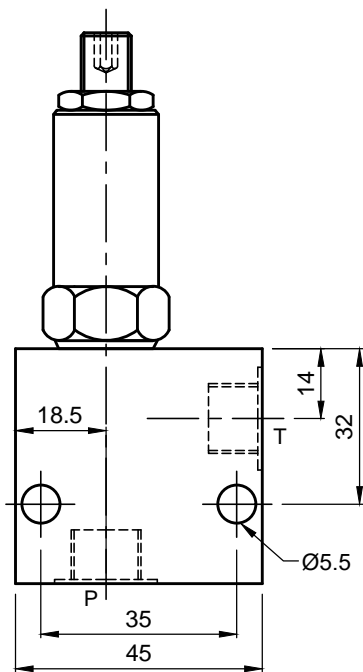


RELIEF VALVES (DIRECT ACTING,POPPET TYPE)

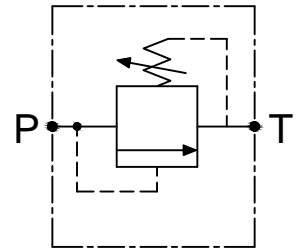
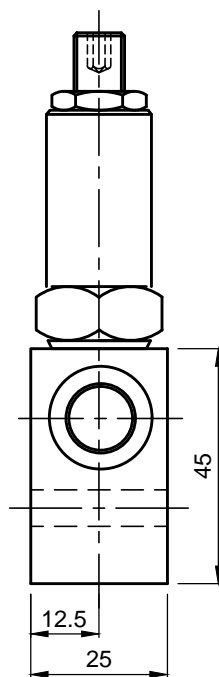
RD 02-XX-YY-ZZ



Cartridge



Cartridge With Body



Specifications

| | |
|--------------------------|-----------------------|
| Maximum Flow | 40 LPM |
| Maximum Setting Pressure | 245 Bar |
| Reseat Pressure | 75% of crack pressure |
| Cavity | C10-2 |

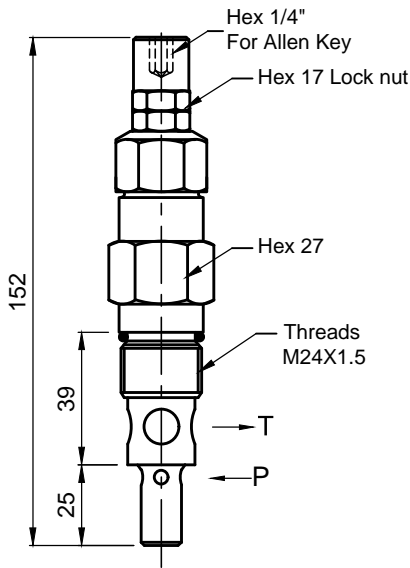
General Description

The RD series, Direct Acting type Relief Valves are suited for continuous duty applications and offer stable performance and quick response. Primarily these are used to limit main system pressure.

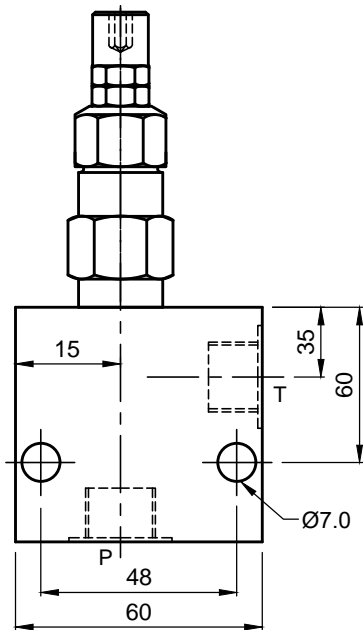
| | |
|-----------|-----------------------|
| XX | Mounting Style |
| 00 | Cartridge |
| IL | Inline Mounting |

| | |
|-----------|-------------------------|
| YY | Press.Range(Bar) |
| 10 | 10 - 105 |
| 20 | 20 - 170 |
| 30 | 30 - 245 |

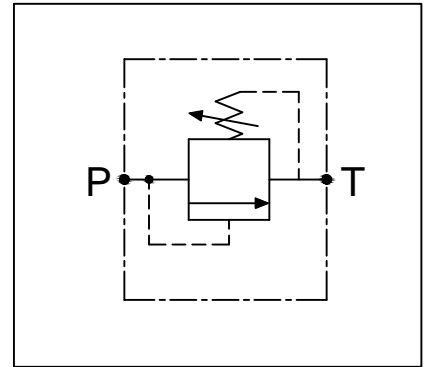
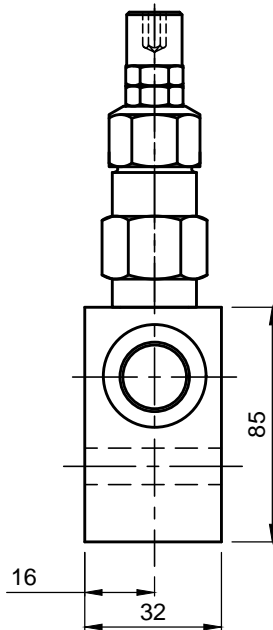
| | |
|-----------|-----------------|
| ZZ | PORTS |
| 00 | Cartridge |
| 38 | 3/8" BSP (STD.) |
| 12 | 1/2" BSP |



Cartridge



Cartridge With Body



Specifications

| | |
|--------------------------|-----------------------|
| Maximum Flow | 80 LPM |
| Maximum Setting Pressure | 245 Bar |
| Reseat Pressure | 75% of crack pressure |
| Cavity | M24-2 |

General Description

The RD series, Direct Acting type Relief Valves are suited for continuous duty applications and offer stable performance and quick response. Primarily these are used to limit main system pressure.

| | |
|-----------|-----------------------|
| XX | Mounting Style |
| 00 | Cartridge |
| IL | Inline Mounting |

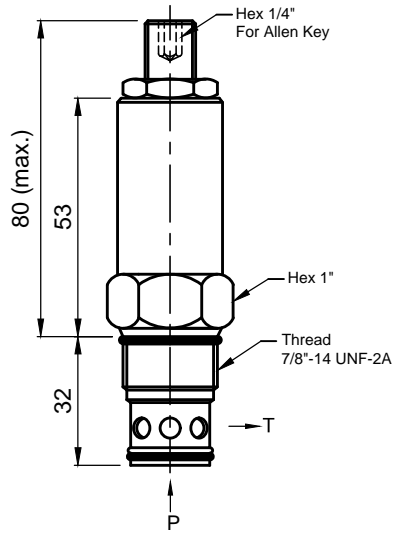
| | |
|-----------|-------------------------|
| YY | Press.Range(Bar) |
| 10 | 10 - 105 |
| 20 | 20 - 170 |
| 30 | 30 - 245 |

| | |
|-----------|-----------------|
| ZZ | PORTS |
| 00 | Cartridge |
| 38 | 3/8" BSP |
| 12 | 1/2" BSP (STD.) |

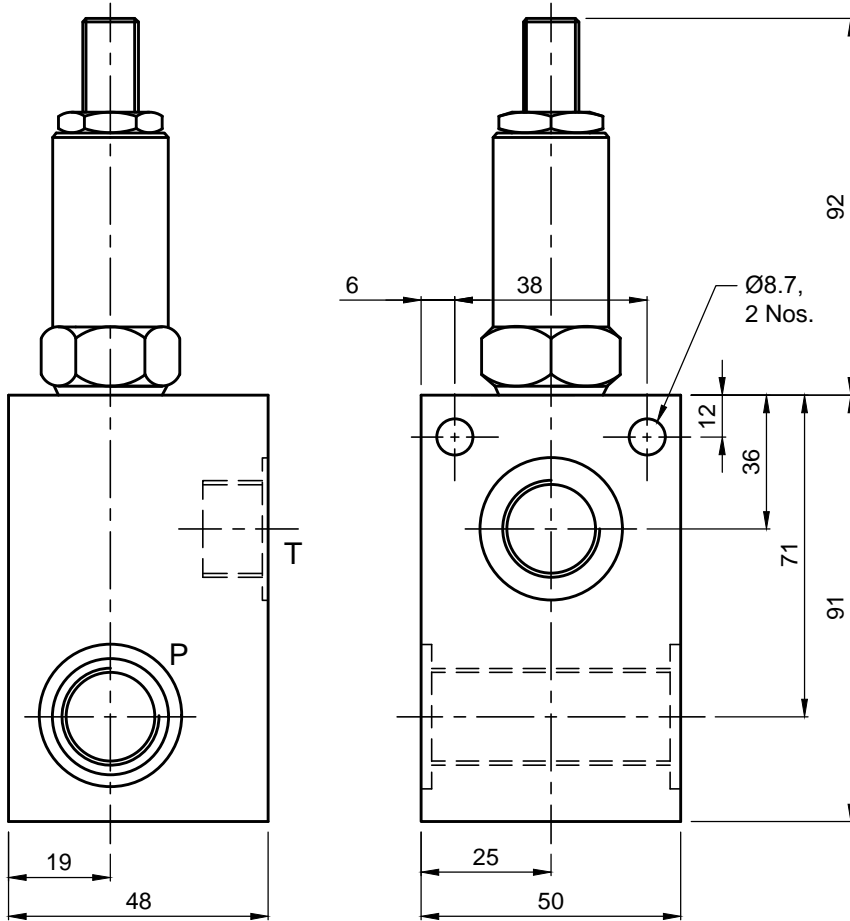


RELIEF VALVES (DIRECT ACTING, SPOOL TYPE)

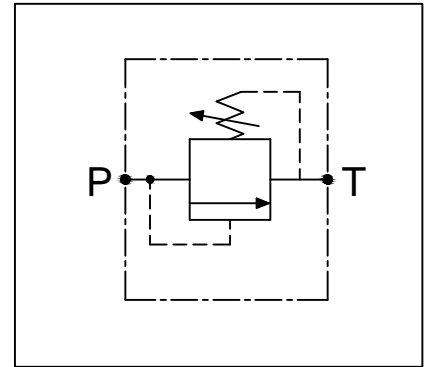
RDS 04-XX-YY-ZZ



Cartridge



Cartridge With Body



Specifications

| | |
|--------------------------|---------------------|
| Maximum Flow | 150 LPM |
| Maximum Setting Pressure | 175 Bar |
| Reseat Pressure | 80% of set pressure |
| Cavity | --- |

General Description

The RDS Series relief valve has direct spool type construction and best suited for low pressure application where close pressure control is required. It gives quite and stable operation.

| | |
|-----------|-----------------------|
| XX | Mounting Style |
| 00 | Cartridge |
| IL | Inline Mounting |

| | |
|-----------|-------------------------|
| YY | Press.Range(Bar) |
| 01 | 1 - 10 |
| 07 | 7 - 70 |
| 15 | 15 - 140 |

| | |
|-----------|---------------|
| ZZ | PORTS |
| 00 | Cartridge |
| 34 | 3/4" BSP |
| 10 | 1" BSP (STD.) |