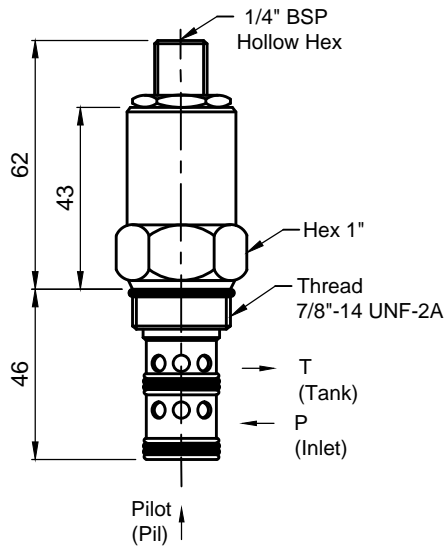


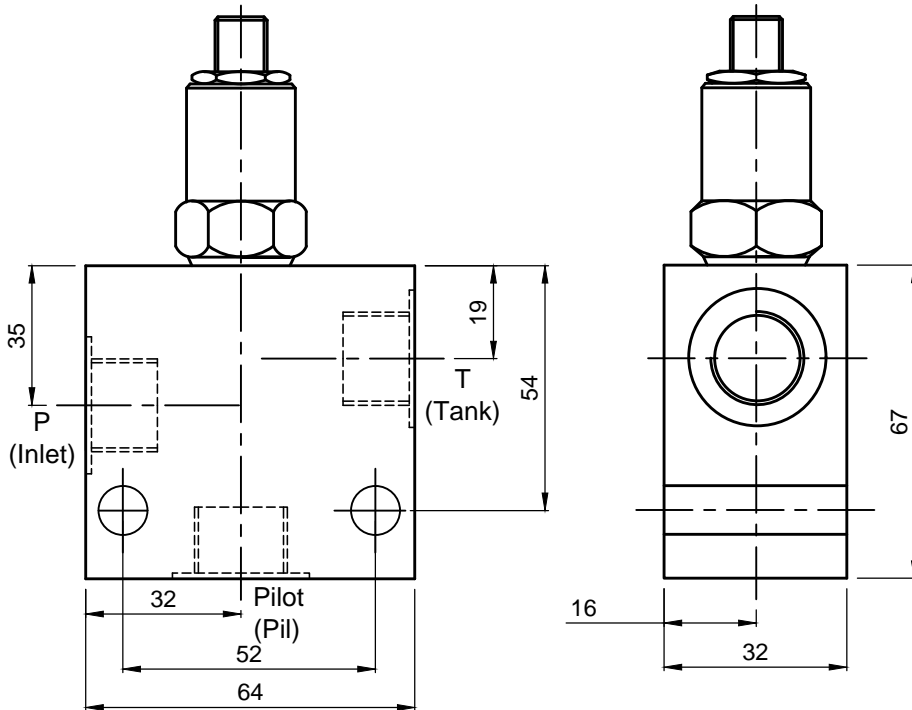


UNLOADING RELIEF VALVE (DIFFERENTIAL AREA)

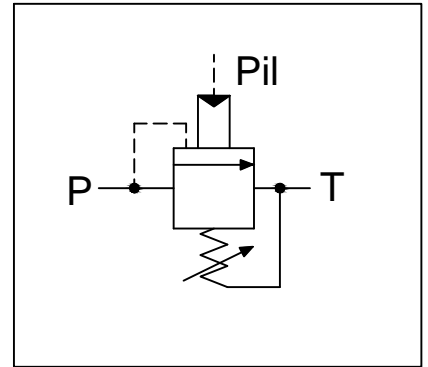
URV 01-XX-YY-ZZ



Cartridge



Cartridge With Body



Specifications

Maximum Flow	6 LPM
Maximum Setting Pressure	245 Bar
Cavity	C10-3

General Description

The URV Series, Differential area Unloading Relief Valve are best suited for low flow accumulator unloading circuits or can be used as remote pilot valves. They provide a fixed percentage of set pressure between load and unload pressures.

XX	Mounting Style
CT	Cartridge
IL	Inline

YY	Press.Range(Bar)
07	7 - 70
15	15 - 140
25	25 - 245

ZZ	PORTS
00	Cartridge
38	3/8" BSP (STD.)
12	1/2" BSP

Performance Curve

