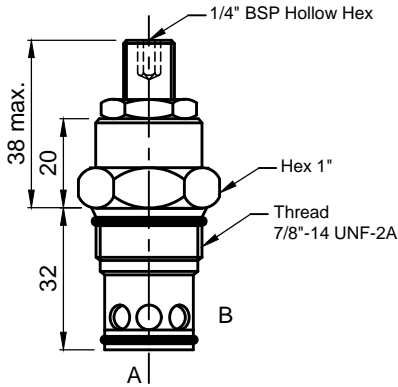


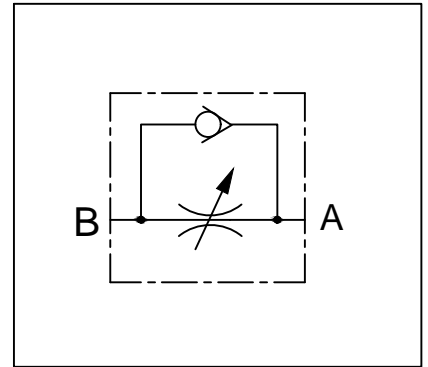
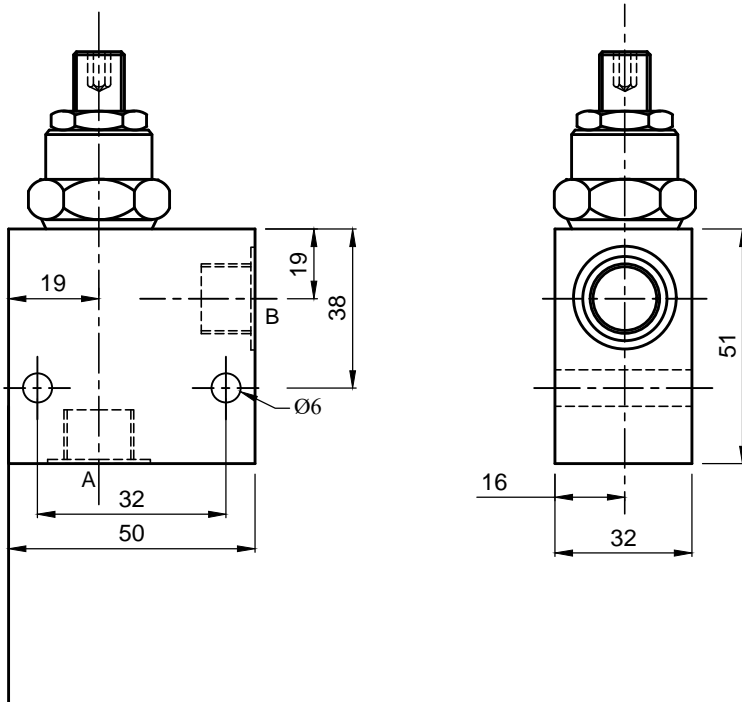


FLOW RESTRICTOR WITH CHECK VALVES

FCV 02-XX-YY-ZZ



Cartridge



Specifications

Maximum Flow	25 LPM
Maximum Inlet Pressure	210 Bar
Cavity	C10-2

General Description

The FCV Series, Flow Restrictor With Check Valves provides full flow in the other direction. The cartridge can be used in either meter-in or meter-out applications.

XX	Mounting Style
00	Cartridge
IL	Inline

YY	Flow Range(LPM)
02	1 - 3
04	3 - 5
08	6 - 10
12	10 - 14
15	12 - 19
18	15 - 22
22	19 - 25

ZZ	PORTS
00	Cartridge
38	3/8" BSP(STD)
12	1/2" BSP

Performance Curve

